

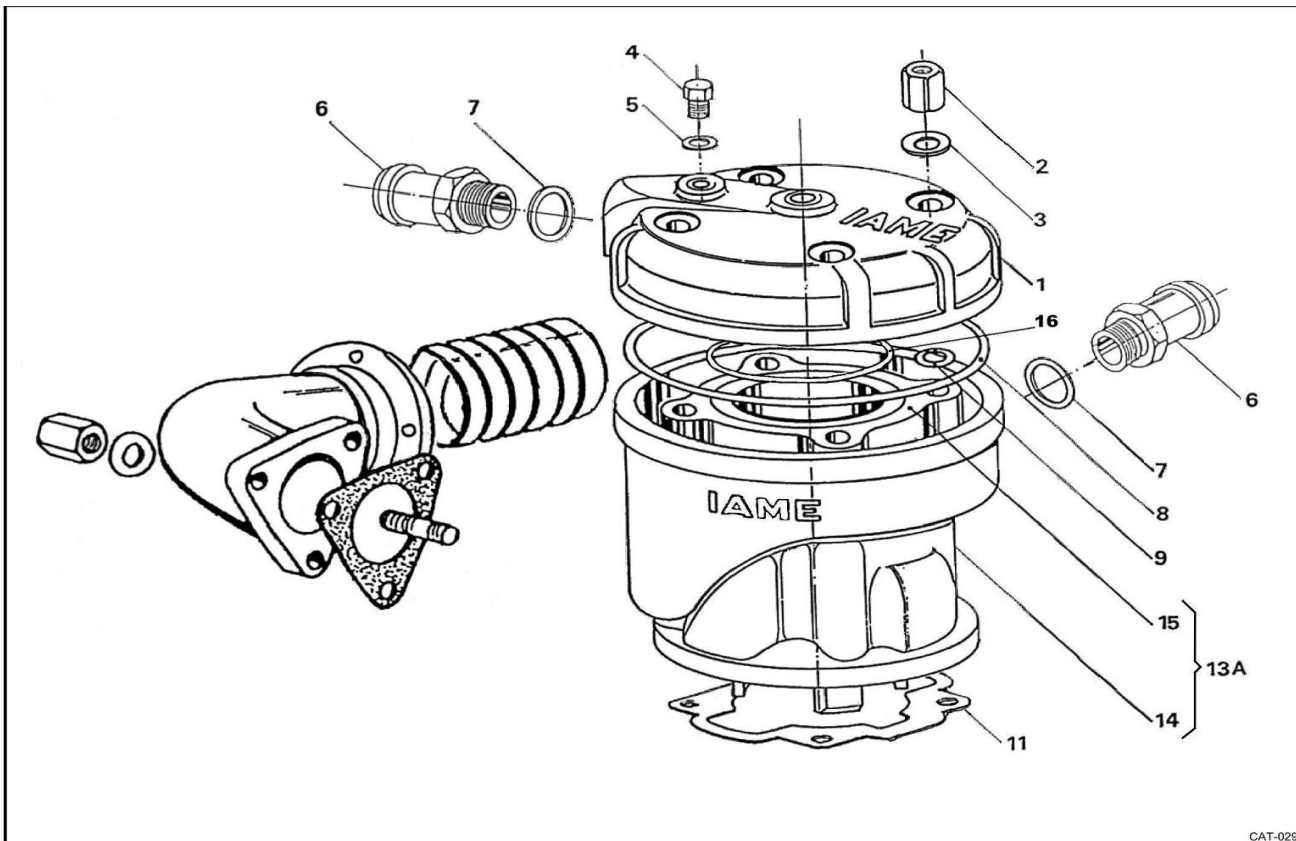
IAME

The heart of kart

IAME LEOPARD (2008 & OLDER)

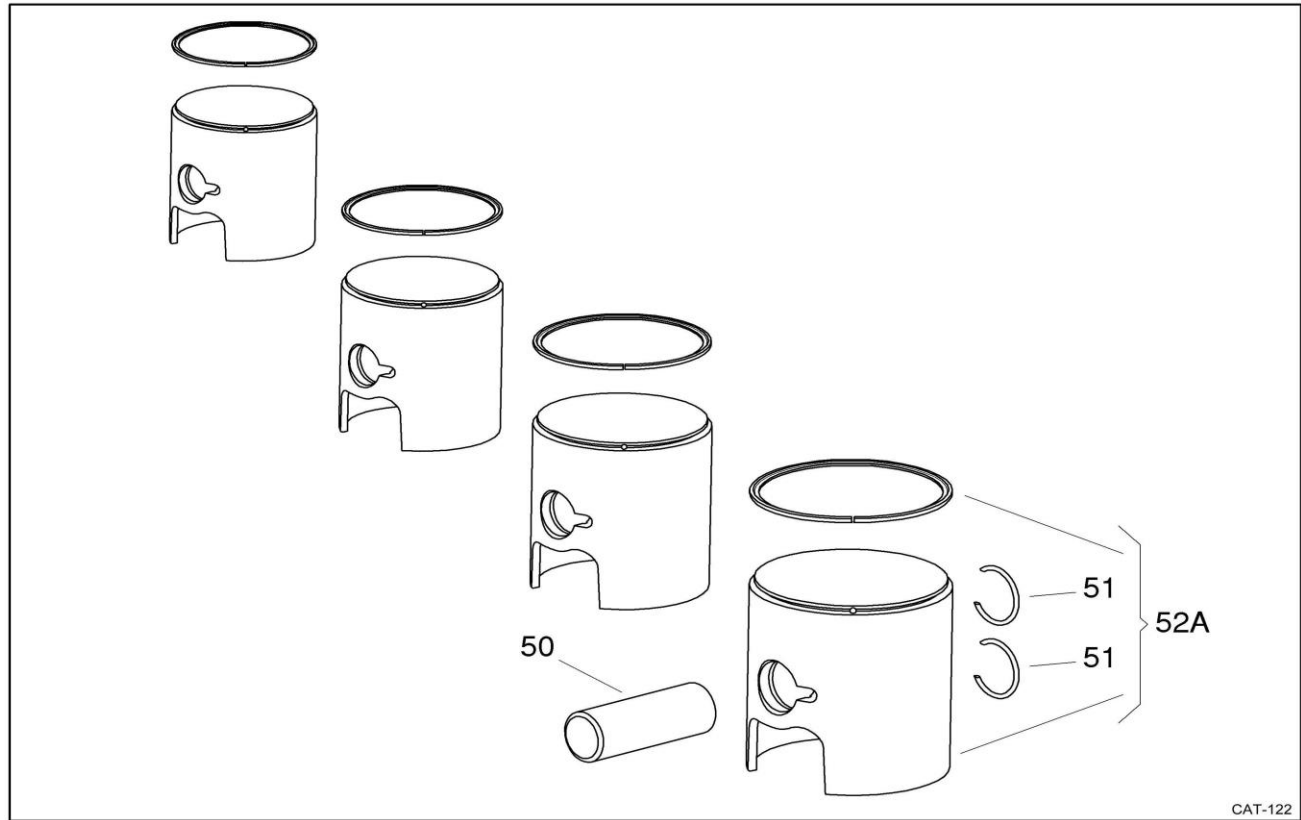


2014 CATALOG



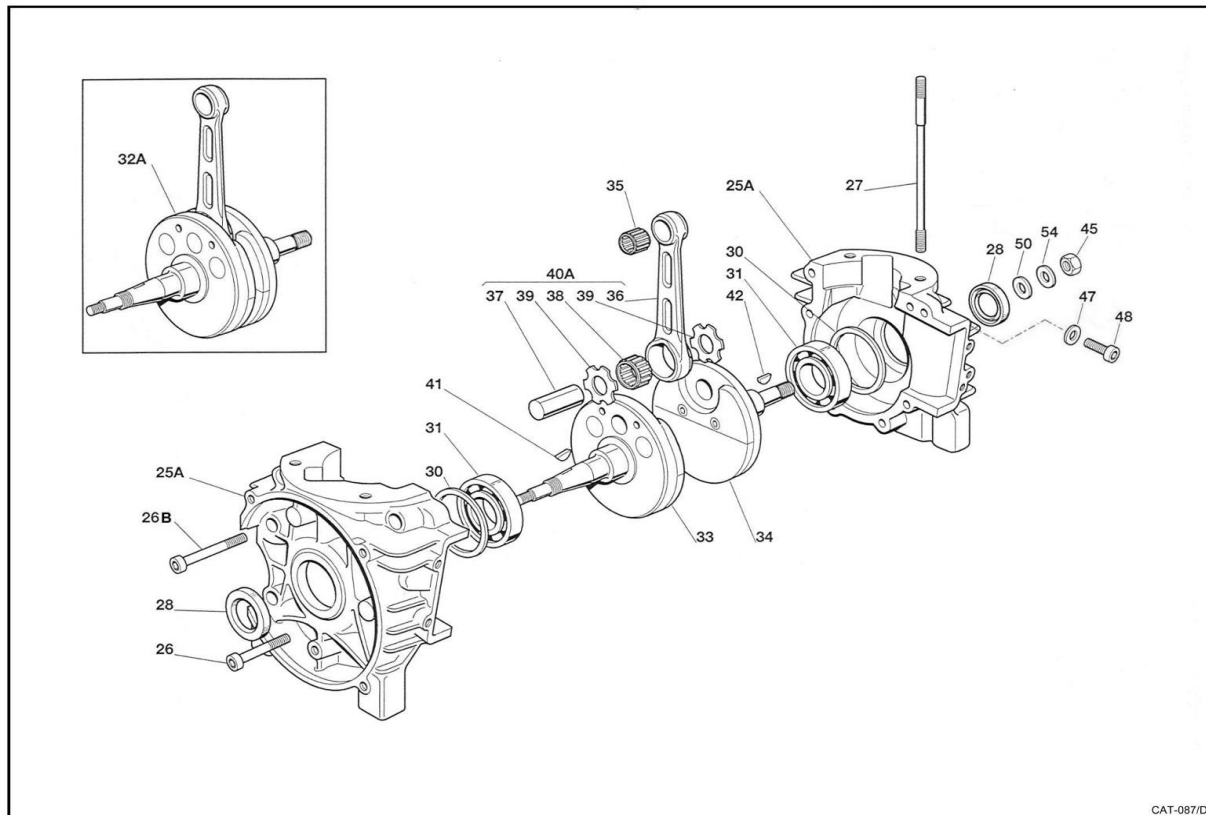
CAT-029

POS	COD	DESCR	PRICE
001	A-125041	CYL. HEAD LEOPARD/K25	233.83
002	10350	HEAD NUT	3.56
003	10635	HEAD NUT WASHER H=3mm	1.81
004	B-25840	TEMP. GAUGE PLUG	4.16
005	B-25845	TEMP. GAUGE PLUG GASKET	2.92
006	IFA-40500	WATER PIPE FITTING	10.40
008	B-25820	HEAD GASKET OR 4487	5.08
009	B-25825	OR STUD-BOLT	1.81
011	BP-25045	CYL. GASKET 4/10	3.56
011	BP-25046	CYL. GASKET 2/10	3.56
013A	A-125036	CYLINDER LEOPARD-125 TAG USA	718.92
016	DBP-95049	HEAD GASKET OR 3243	8.35



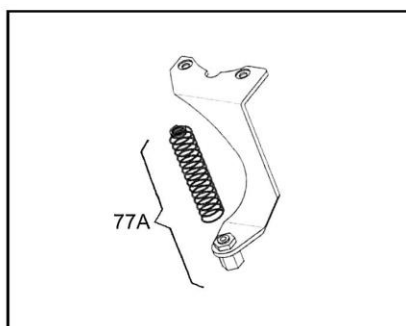
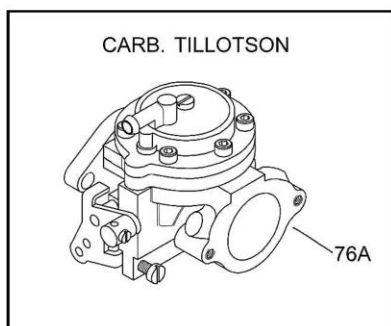
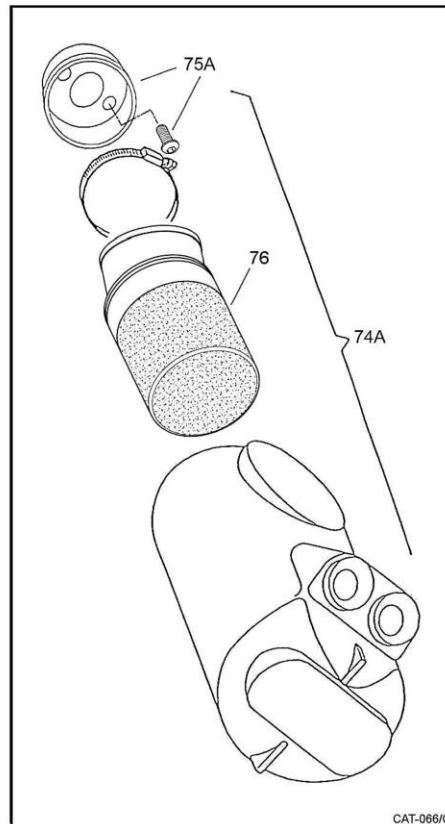
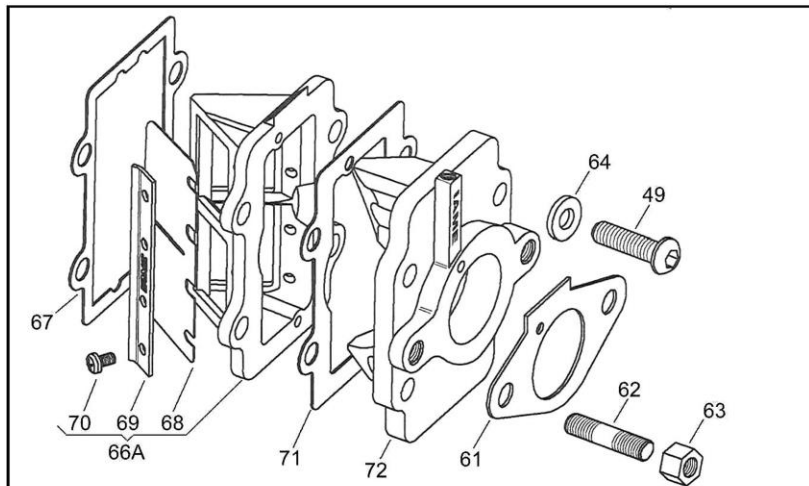
CAT-122

POS	COD	DESCR	PRICE
050	B-30320-B	PISTON PIN 14x44 2^SEL	30.91
050	B-30320-G	PISTON PIN 14x44 3^SEL.	30.91
050	B-30320-R	PISTON PIN 14x44 1^SEL.	30.91
051	10341-A	CIRCLIP W/OUT TAILS	1.88
052A	BP-25051-CR	PISTON, COMPL. PR 54.00r	126.07
052A	BP-25051-CV	PISTON, COMPL. PR 54.00g	126.07
052A	BP-25056-CR	PISTON, COMPL. PR 54.02r	126.07
052A	BP-25056-CV	PISTON, COMPL. PR 54.02g	126.07
052A	BP-25058-CR	PISTON, COMPL. PR 54.05r	126.07
052A	BP-25058-CV	PISTON, COMPL. PR 54.05g	126.07
052A	BP-25061-CR	PISTON, COMPL. PR 54.10r	126.07
052A	BP-25061-CV	PISTON, COMPL. PR 54.10g	126.07
052A	BP-25066-CR	PISTON, COMPL. PR 54.12r	126.07
052A	BP-25066-CV	PISTON, COMPL. PR 54.12g	126.07
052A	BP-25068-CR	PISTON, COMPL. PR 54.15r	126.07
052A	BP-25068-CV	PISTON, COMPL. PR 54.15g	126.07
052A	BP-25071-CR	PISTON, COMPL. PR 54.20r	126.07
052A	BP-25071-CV	PISTON, COMPL. PR 54.20g	126.07
052A	BP-25076-CR	PISTON, COMPL. PR 54.22r	126.07
052A	BP-25076-CV	PISTON, COMPL. PR 54.22g	126.07
052A	BP-25081-CR	PISTON, COMPL. PR 54.25r	126.07
052A	BP-25081-CV	PISTON, COMPL. PR 54.25g	126.07
052A	BP-25086-CR	PISTON, COMPL. PR 54.27r	126.07
052A	BP-25086-CV	PISTON, COMPL. PR 54.27g	126.07



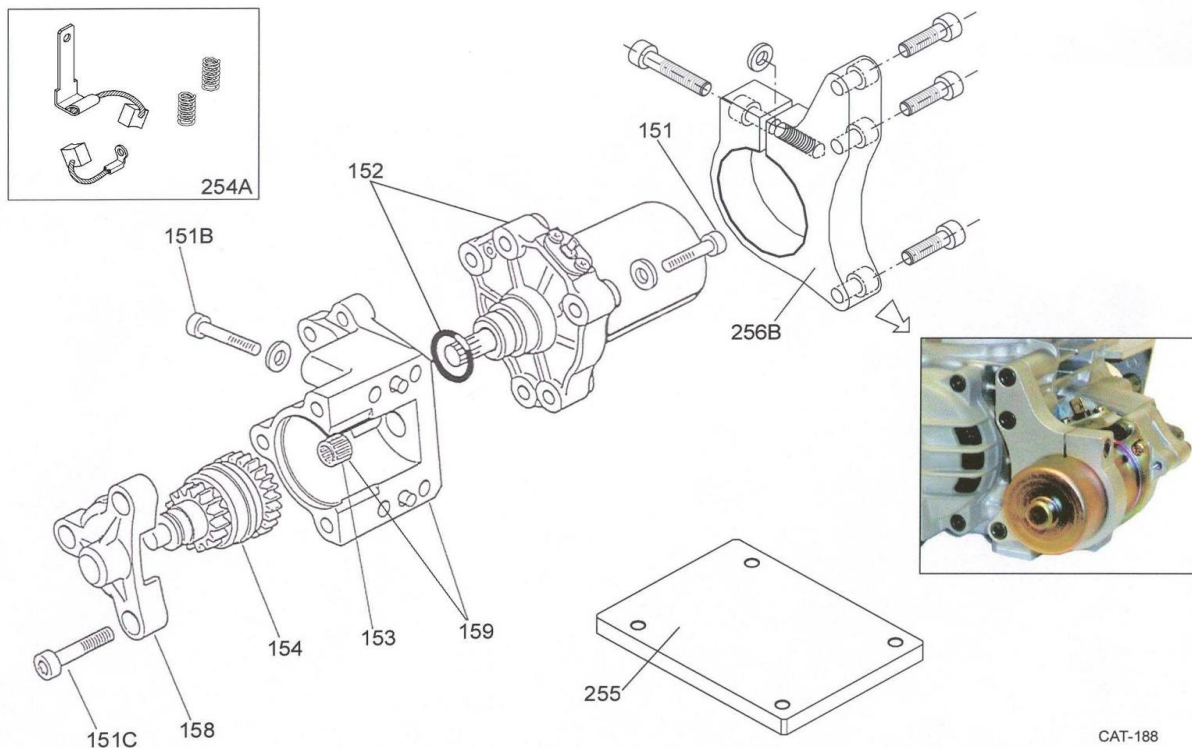
CAT-087/D

POS	COD	DESCR	PRICE
025A	A-125485A	CRANKCASE LEOPARD-USA MY'09	678.90
026	00049-K	KIT OF 20 ALLEN SCREWS 6x45	7.18
026B	00051-K	KIT OF 20 ALLEN SCREWS 6x55	10.00
027	B-25347	CYLINDER TIE-ROD 8x153	13.33
028	F-10425A	OIL SEAL TCWJ 20x35x7	18.31
030	30404	STEEL SHIM 0.15	3.56
030	30407	STEEL SHIM 0.10	3.56
031	35396	BALL BEARING SKF 6205-C4	20.44
032A	A-125617B	CRANKSHAFT LEOPARD/EASY-125	1,190.49
033	A-125385	DR.S.H.CRANKSH.LEOP/EASY125	259.94
034	A-125390A	MAGN.S.H.CRANKSH.LEOP/EASY	247.60
035	E-10440	TOP ROD SUPPORT	34.92
036	DBP-95458	CONROD mm 102 PAR	828.63
037	B-36451	CRANKPIN mm.18x47	32.35
038	B-10431	BIG END CAGE 15 R	48.05
039	E-38436	BRONZE WASHER	8.34
040A	DBP-95458-47	CONROD mm 102-pin 47 PAR/KOM	390.66
041	11715	SHAFT END/SPROCKET/MAGNETO KEY	3.56
042	10375	MAGNETO/SPROCKET SHAFT END KEY	2.43
045	00382	NUT M10x1	2.29
050	00305-K	KIT OF 20 WASHERS M10	7.47
054	00342-K	KIT 20 WASHERS 10,5x18x0,8	6.66



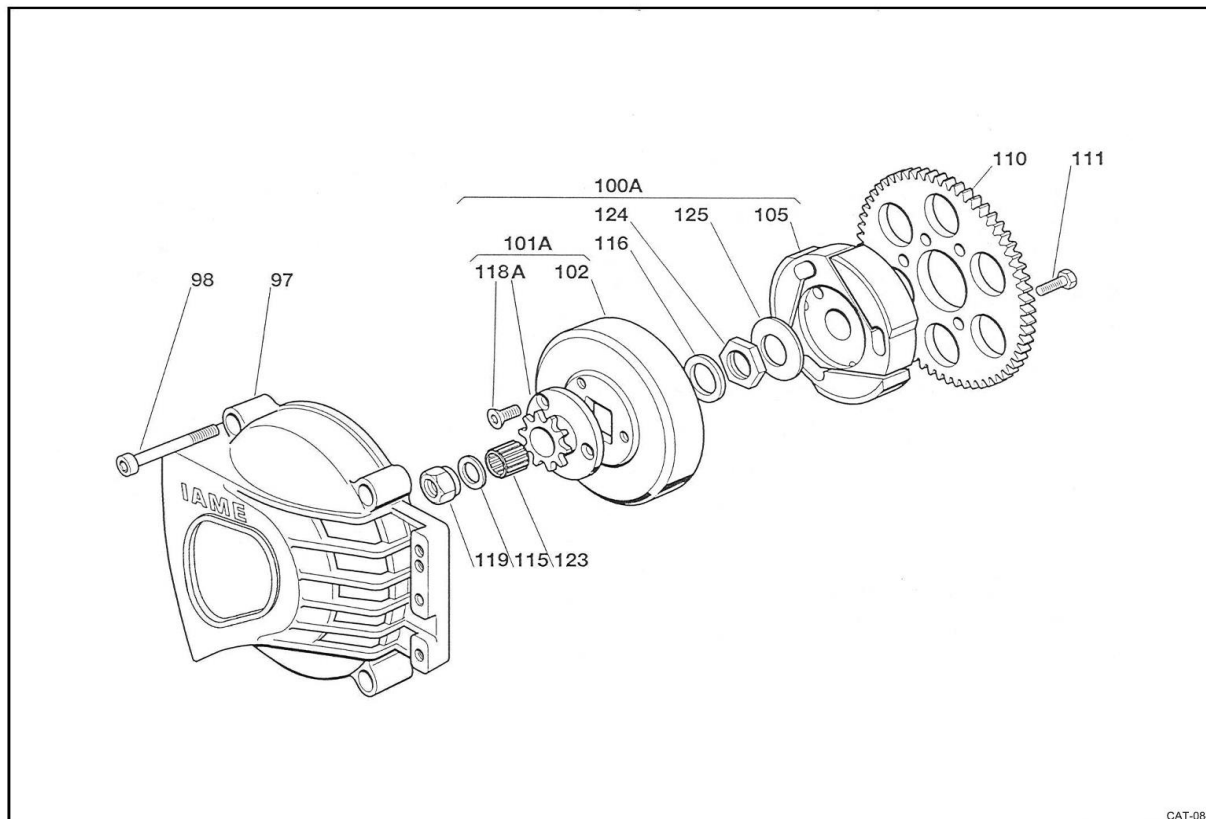
CAT-066/C

POS	COD	DESCR	PRICE
049	00265-K	KIT OF 20 ALLEN SCREWS 6x25	7.47
061	10360-A	CARBURETOR GASKET	3.56
062	10525	FIX.CARB.STUDBOLT 6x25	5.08
063	00351-K	20 HEXAGONAL NUTS KIT M6	3.56
064	00302-K	KIT 20 WASHERS M6	1.81
066A	11828-A	RUBBER REEDS GROUP	94.38
067	11810	CRANKCASE MANIFOLD GASKET	3.42
068	11840	REED PETAL 0.30-0.35	17.09
069	F-11845	REEDS PETAL CLIPS	3.56
070	10380	REEDS SCREW	1.81
071	11805-A	MANIFOLD CARB GASKET	3.42
072	B-75817A	CONVEYOR IAME mm.27	60.05
074A	10745-C	COMPL.INTAKE SILENCER R&R	115.02
075A	10771-C	INTAKE SILENCER FITTING	35.46
076A	10916B	CARBURETOR TILL.HL334AB 23mm	149.95
077A	B-35520-C	CARBURETOR LEVER	23.00



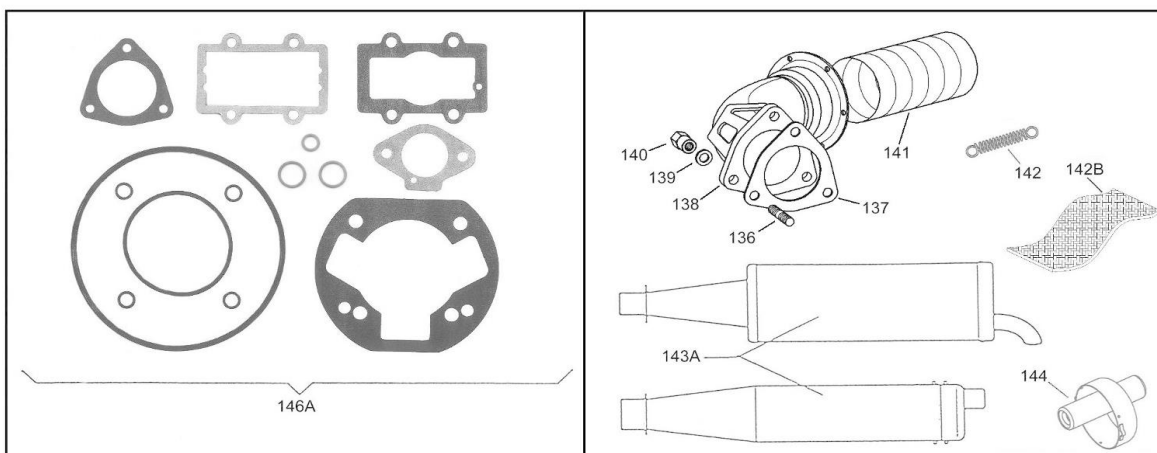
CAT-188

POS	COD	DESCR	PRICE
151	00047-K	KIT OF 20 ALLEN SCREWS 6x35	7.18
151B	00049-K	KIT OF 20 ALLEN SCREWS 6x45	1.66
151C	00045-K	20 SOCKET H. SCREWS M6X25 KIT	4.57
152	A-120850A-C	STARTER MOTOR	241.83
153	A-60865	ROLLER CAGE TaG	11.28
154	A-120856	BENDIX	122.91
158	A-60870	COUNTERSHAFT SUPPORT, TaG	17.09
159	A-120860-C	COUNTERSH.SUPPORT TAG W/ROLLER	117.95
254A	A-60852A-C	STARTER BRUSHES KIT	30.91
255	A-120800A	ADDIT. ENGINE PLATE n.t.	39.82
256B	A-125863-C	STARTER SUPPL. SUPPORT	43.12



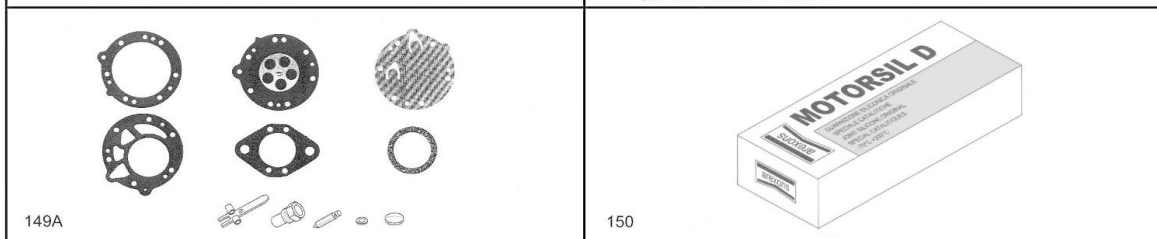
CAT-084

POS	COD	DESCR	PRICE
097	A-60595B	CLUTCH GUARD TaG	52.05
098	00048	SCREW TCEI M mm.6x40	1.66
100A	A-120840B-C	CLUTCH GROUP Z10-TaG	305.76
100A	A-120841B-C	CLUTCH GROUP Z11-TaG	305.76
101A	A-60550-C	SPROCKET DRUM Z10	132.90
101A	A-60551-C	SPROCKET DRUM Z11	132.90
102	A-60550	SPROCKET DRUM	76.05
105	A-120840B	PADDED HUB 85/120/125cc	180.02
110	A-100830	STARTER DRIVER WHEEL Z66	117.07
111	00161-K	KIT OF 20 HEX. SCREWS 6x12	7.47
115	D-75573	EXTERNAL WASHER	3.56
116	D-75565	THRUST INT.WASHER H=1,8mm	5.08
118A	D-75554-C	SPROCKET Z10-TaG	68.08
118A	D-75555-C	SPROCKET Z11-TaG	68.08
119	D-75570	STARTER NUT TaG	7.13
123	D-75598	CLUTCH ROLLER CAGE TaG	13.33
124	A-60560	LOCKING NUT TaG	9.52
125	D-75563	WASHER CONED SAF. TaG	5.08



KIT CARB. TILLOTSON HL - TILLOTSON HL CARB KIT

GUARNIZIONE LIQUIDA - LIQUID SEAL - JOINT LIQUIDE



149A

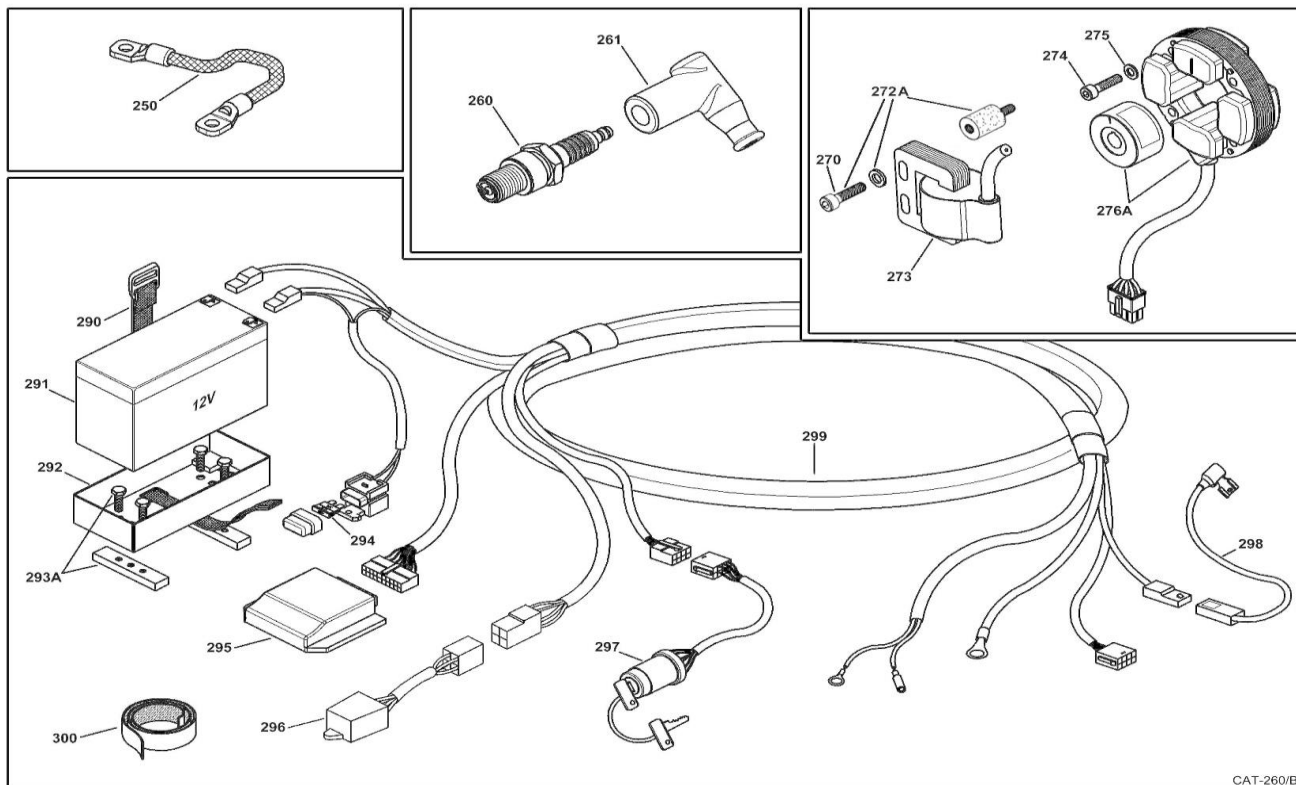
150

CAT-041/A

POS	COD	DESCR	PRICE
136	10358	EXHAUST STUDBOLT/REED GR. 6x34	5.08
137	B-85360	EXHAUST GASKET LEOP.	8.35
138	A-125365	EXHAUST PIPE LEOP.w/rest.30mm	116.17
138	A-125366	EXHAUST PIPE LEOP.w/rest.25mm	116.17
138	A-125366A	EXHAUST PIPE LEOP.w/rest.30mm	116.17
138	A-125369	EXHAUST PIPE LEOPARD '08	116.17
139	00302-K	KIT 20 WASHERS M6	1.81
140	10660	6 mm EXHAUST NUT	7.13
141	10711-B	FLEXIBLE L=13 cm.	10.46
142	10785	FLEXIBLE SPRING	6.59
142B	A-60735	FIBER STRIP FOR FLEX	9.69
143A	10718	SILENCER SPECIAL	161.03
144	10721-A	SILENCER END	40.02
146A	B-85990	GASKETS SET K25/LEOP/TT75/SIR	38.39
149A	10926	KIT CARB.TILL.HL334AB	29.95
150	00602	LIQUID GASKET AREXON	43.59

ELECTRONIC IGNITION

LEOPARD



CAT-260/B

POS	COD	DESCR	PRICE
250	B-35805-A	COIL GROUND CABLE	8.30
260	10561-A	SPARK PLUG NGK BR10EG	12.95
261	10544	PVL SPARK CAP	28.86
270	00032-K	KIT OF 20 ALLEN SCREWS 5x20	4.88
272A	A-125520-C	COIL DAMPENER KIT	14.70
273	X30125955	SELETTRA COIL K	57.05
274	00034-K	KIT OF 20 ALLEN SCREWS 5x25	4.57
275	00301-K	KIT 20 WASHERS M5	1.81
276A	X30125950A	SELETTRA K IGNITION	188.02
290	A-60904A	BATTERY FIXING BELT	17.09
291	X30125900	SPARE PART F.	54.00
292	X30125905	BATTERY SUPPORT	41.11
293A	X30125906-C	BATTERY SUPP. CLAMP W/SCREWS	13.82
294	X30125942	FUSIBLE 5A X30	3.56
295	X30125930AS	MINI POWER UNIT TYPE A	245.55
296	IFE-05200	STARTER RELAY n.t.	119.24
297	X30125936-C	STARTER KEYS ASSEMBLY	73.08
298	A-60934A	STARTER CABLE	18.84
299	IFE-05000	KIT CABLES W/CONNECT.	214.05
300	X30125925	VELCRO FIXING STRAP	21.67

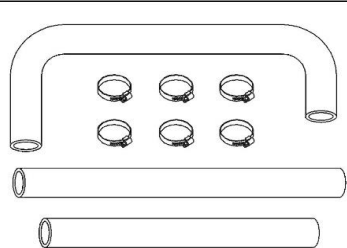


Fig. 550A
Kit n° T-8301A-C

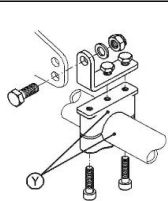


Fig. 555A
DIAMETRI - DIAMETERS
DIAMETRES

Y= 28mm : Kit n° T-8117-C
Y= 30mm : Kit n° T-8117-C1
Y= 32mm : Kit n° T-8117-C2

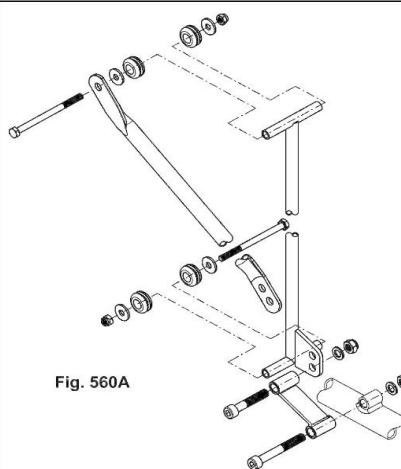


Fig. 560A

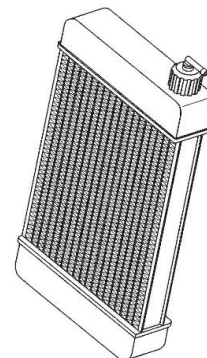
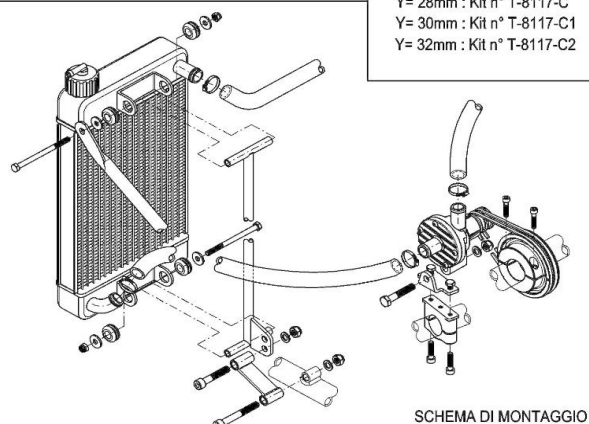


Fig. 570



IMPIANTO PER RAFFREDDAMENTO LIQUIDO
WATERCOOLED ENGINE DEVICE
EQUIPEMENT REFRIGERATION LIQUIDE

SCHEMA DI MONTAGGIO
ASSEMBLING LAYOUT
SCHEMA DE MONTAGE

NOTE
Il gruppo POMPA comprende il SUPPORTO, la PULEGGIA e gli ANELLI di gomma.
The PUMP group includes CLAMP, PULLEY and rubber RINGS.
Le groupe POMPE comprend le SUPPORT, la POULIE et les COURROIES.

DIAMETRI - DIAMETERS - DIAMETRES

- K=30mm + W=30mm : Kit n° T-8202-C
- K=30mm + W=35mm : Kit n° T-8202-C1
- K=30mm + W=40mm : Kit n° T-8202-C2
- K=32mm + W=40mm : Kit n° T-8202-C3
- K=32mm + W=35mm : Kit n° T-8202-C4
- K=30mm + W=50mm : Kit n° T-8202-C5
- K=32mm + W=50mm : Kit n° T-8202-C6
- K=32mm + W=30mm : Kit n° T-8202-C7

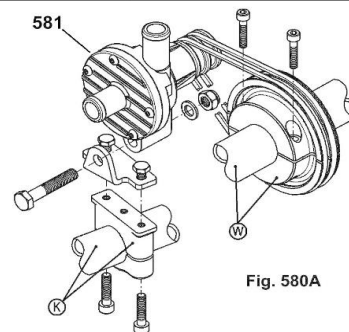
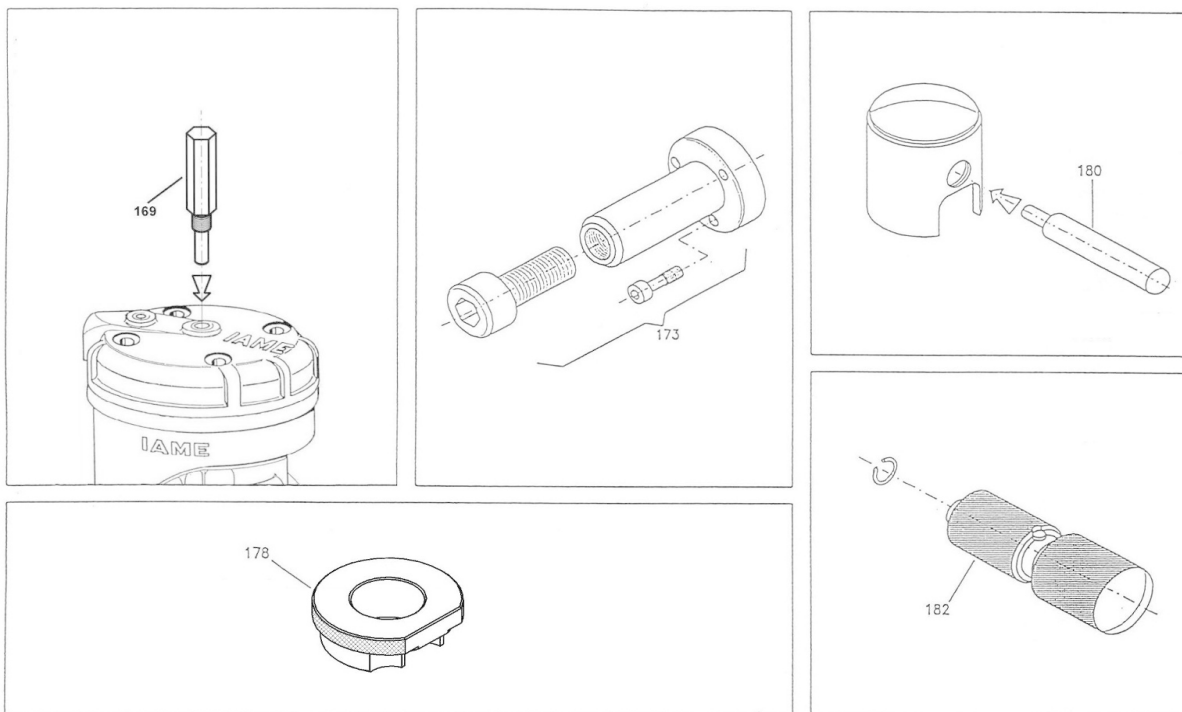


Fig. 580A

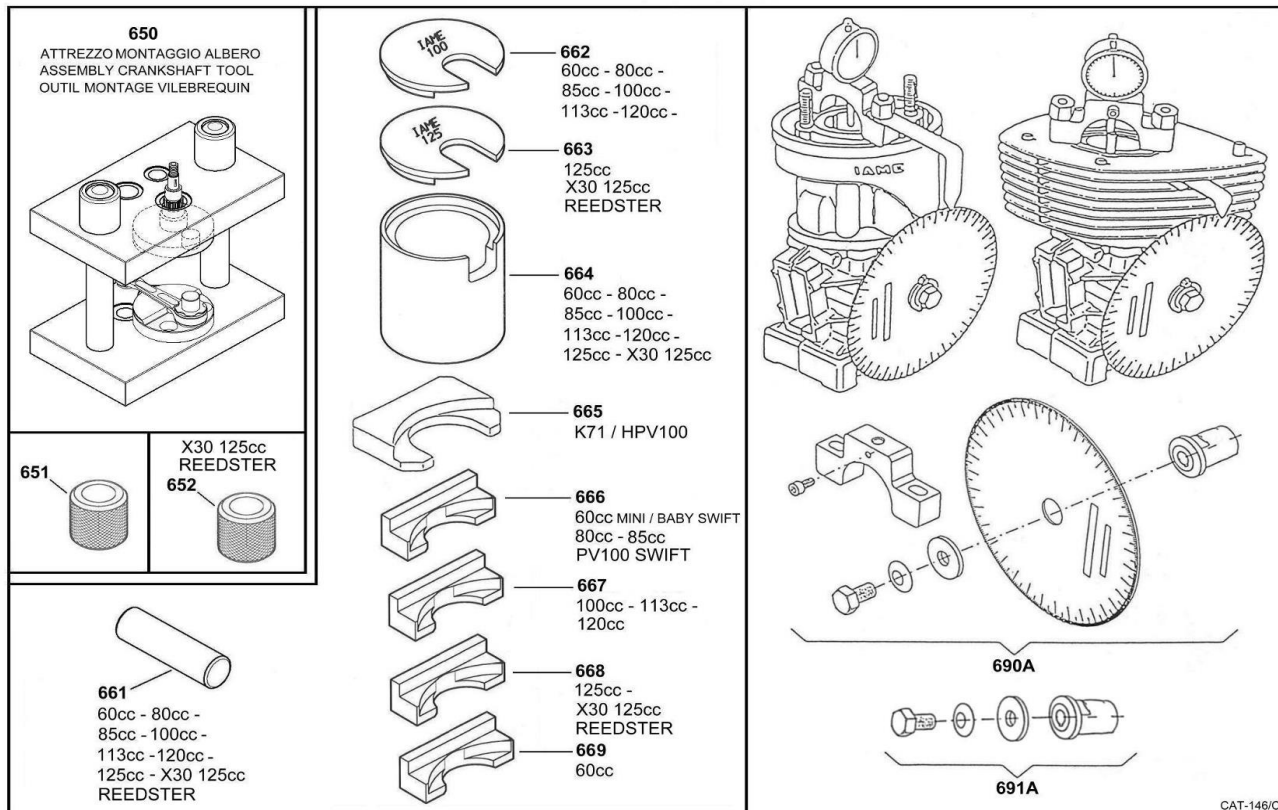
CAT-244

POS	COD	DESCR	PRICE
550A	T-8301B-C	HOSES COMPLETE KIT n.t.	60.08
555A	T-8117-C	RADIATOR CLAMP KIT mm 28	23.34
555A	T-8117-C1	RADIATOR CLAMP KIT mm 30	23.34
555A	T-8117-C2	RADIATOR CLAMP KIT mm 32	23.34
560A	T-8133-C	RADIATOR SUPPORT KIT	96.08
560A	T-8135-C	410mm RADIATOR SUPPORT KIT	96.08
570	T-8000A	RADIATOR	186.93
570	T-8000B	RADIATOR L=410mm	286.47
580A	T-8202-C	PUMP GROUP mm 30/30	146.06
580A	T-8202-C1	PUMP GROUP mm 30/35	146.06
580A	T-8202-C2	PUMP GROUP mm 30/40	146.06
580A	T-8202-C3	PUMP GROUP mm 32/40	146.06
580A	T-8202-C4	PUMP GROUP mm 32/35	146.06
580A	T-8202-C5	PUMP GROUP mm 30/50	146.06
580A	T-8202-C6	PUMP GROUP mm 32/50	146.06
580A	T-8202-C7	PUMP GROUP mm 32/30	146.06
581	T-8202	WATER PUMP	68.91
590A	T-8400-C	THERMOSTAT 50Å° COMPL.	133.08



CAT-149

POS	COD	DESCR	PRICE
169	10271	PISTON STROKE LOCKER	38.12
173	B-55614-C	CLUTCH PULLER JUNIOR/TaG	47.22
178	S884	STARTER DRIVE WHEEL HOLD. TOOL	48.09
180	10200	PISTON PIN PUNCH 125cc	25.05
182	10120	CIRCLIP ASSEMBLING TOOL	174.02



POS	COD	DESCR	PRICE
650	10110A	CRANKSHAFT ASSY TOOL	1,956.82
652	10150A	CRANK-PIN BUSH mm20	73.15
661	10107	CRANK-PIN PUSHER	11.66
663	10104A	CRANKSHAFT PLATE 125cc	100.61
664	10100	CRANKSH. DISASSY SUPPORT	167.09
668	10106	CRANKSHAFT INSERT 125cc-SUP	54.29
690A	10820A	TIMING GROUP TaG/REEDSTER	130.03
691A	10828-C	TAG COMPL.TIMING GROUP M10	53.38