



CARBURETTOR TILLOTSON HB-15A - USA

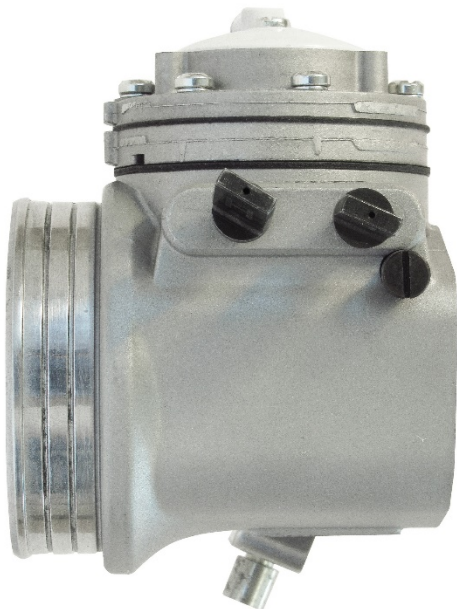


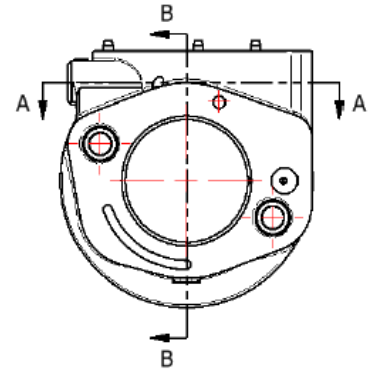
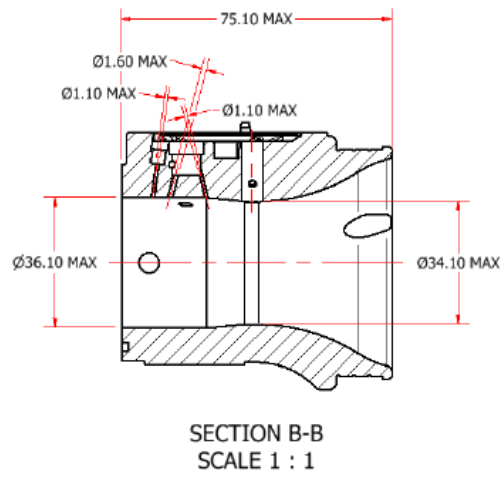
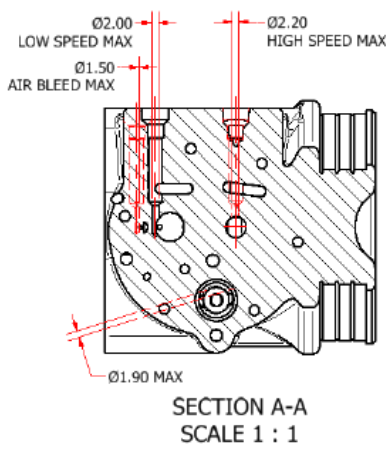
PHOTO OF ADJUSTING SIDE



PHOTO OF INLET SIDE

Manufacturer	TILLOTSON LTD.
Make	TILLOTSON
Model	HB-15A

SECTION VIEW



FLANGE SIDE "IAME" MARKING



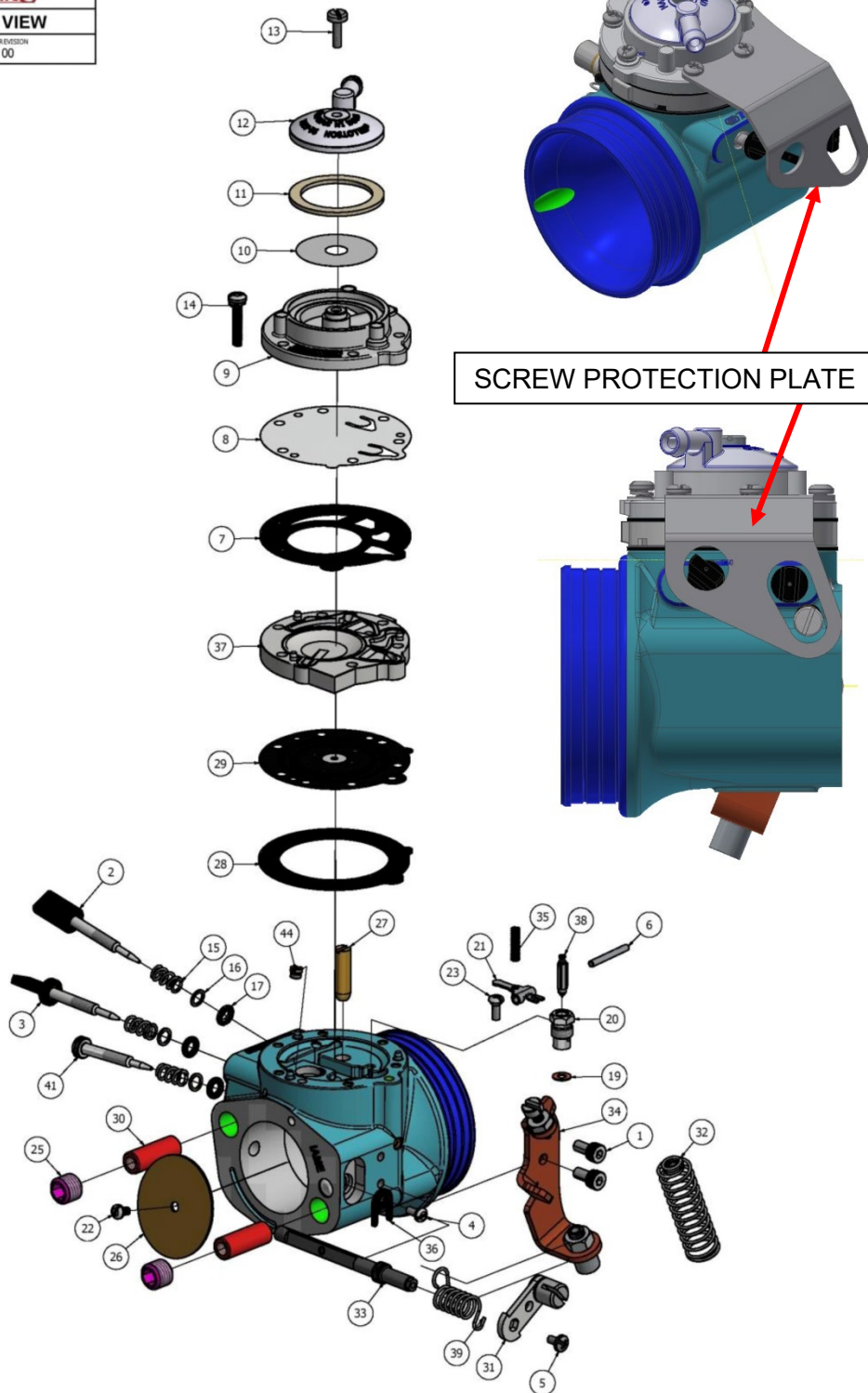
LASER MARKING "IAME"

CARBURETTOR DESCRIPTION AND SKETCH OF PARTS - THROTTLE LEVER TYPE 1



HB-15A EXPLODED VIEW

DATE: 27/03/2018 DRAWN BY: P.B REVISION: 00



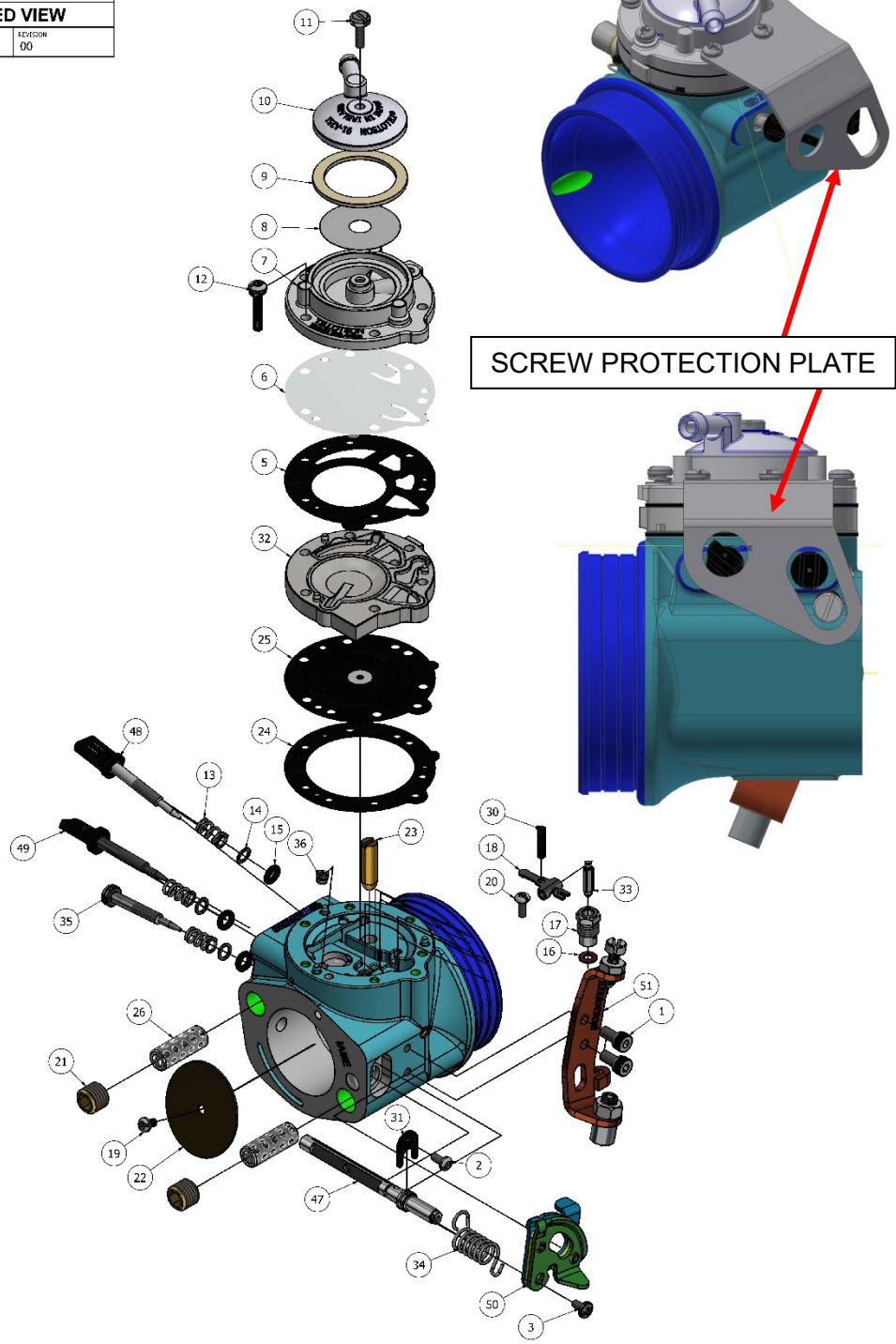
ITEM	QTY	PART NUMBER	DESCRIPTION	ITEM	QTY	PART NUMBER	DESCRIPTION	ITEM	QTY	PART NUMBER	DESCRIPTION
1	2	15-C67	M4 X 0.7 SOCKET CAP SCREW	17	3	44-361	ADJUSTMENT SCREW O-RING	35	1	24-C296	INLET TENSION SPRING
2	1	43-1029	8-32 UNC ADJUSTMET SCREW	19	1	16-B199	+* INLET SEAT GASKET	36	1	29-253	THROTTLE SHAFT CLIP
3	1	43-1030	8-32 UNC ADJUSTMET SCREW	20	1	36-A42	+ INLET SEAT	37	1	91-A275	FUEL PUMP BODY
4	1	15-C19	4-40 UNC SCREW	21	1	155-A27	+ INLET CONTROL LEVER	38	1	34-229	+ INLET NEEDLE
5	1	15-C52	4-40 UNC SCREW	22	1	15-C20	4-40 UNC SCREW	39	1	24-C353	THROTTLE RETURN SPRING
6	1	32-79	FULCRUM LEVER PIN	23	1	15-B329	FULCRUM LEVER SCREW	41	1	43-A254	ADJUSTMENT SCREW
7	1	16-B392	+* PUMP GASKET	25	2	81-382	RETAINING NUT	44	1	49-B58	FIXED JET
8	1	237-223	FUEL PUMP DIAPHRAGM	26	1	14-A127	THROTTLE SHUTTER				
9	1	141-89	FUEL PUMP BODY	27	1	363-332	MAIN NOZZLE			*	REPAIR KIT CONTENTS
10	1	95 - 170	FUEL STRAINER SCREEN	28	1	16-B408	METERING GASKET			+	DIAPHRAGM & GASKET KIT CONTENTS
11	1	16-B205	+* FUEL STRAINER COVER GASKET	29	1	237-698	+* DIAPHRAGM ASSEMBLY				
12	1	91-A251	FUEL STRAINER COVER	30	2	81-381	CARBURETTOR MOUNTING NUT			RK-1HB	REPAIR KIT
13	1	15-B313	5-40 UNC SCREW	31	1	12-1220	THROTTLE LEVER ASSEMBLY			DG-1HB	DIAPHRAGM & GASKET KIT
14	6	15-C51	6 - 32 UNC SCREW WITH L/W	32	1	24-C334	CABLE RETURN SPRING			233-717P	INLET NEEDLE & SEAT SET
15	3	24-B449	ADJUSTMENT SCREW SPRING	33	1	13-B237	THROTTLE SHAFT				
16	3	78A-256	ADJUSTMENT SCREW WASHER	34	1	136-568	CABLE BRACKET ASSEMBLY				

CARBURETTOR DESCRIPTION AND SKETCH OF PARTS – THROTTLE LEVER TYPE 2

Tillotson
RACING

HB-15B EXPLODED VIEW

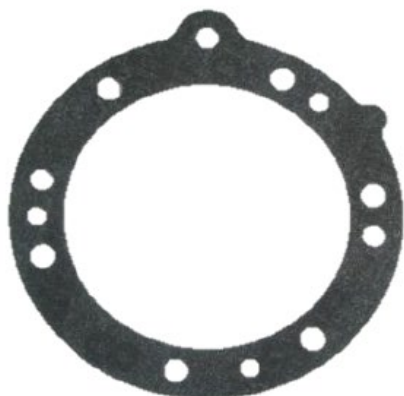
DATE: 06/10/2020	DESIGN BY: K.McC	REVISION: 00
---------------------	---------------------	-----------------



ITEM	QTY	PART NUMBER	DESCRIPTION	ITEM	QTY	PART NUMBER	DESCRIPTION	ITEM	QTY	PART NUMBER	DESCRIPTION
	*		REPAIR KIT CONTENTS	8	1	95-170	FUEL STRAINER SCREEN	23	1	363-332	MAIN NOZZLE
	+		DIAPHRAGM & GASKET KIT CONTENTS	9	1	16-B205	+* FUEL STRAINER COVER GASKET	24	1	16-B408	METERING GASKET
		RK-1HB	REPAIR KIT	10	1	91-A251	FUEL STRAINER COVER	25	1	237-698	+* DIAPHRAGM ASSEMBLY
		DG-1HB	DIAPHRAGM & GASKET KIT	11	1	15-B313	5-10 UNC SCREW	26	2	81-361	CARBURETTOR MOUNTING NUT
		233-717P	INLET NEEDLE & SEAT	12	6	15-C51	6-32 UNC SCREW WITH L/W	30	1	24-C298	INLET TENSION SPRING 42g
				13	3	24-B449	ADJUSTMENT SCREW SPRING	31	1	29-253	THROTTLE SHAFT CLIP
				14	3	78A-256	ADJUSTMENT SCREW WASHER	32	1	91-A275	FUEL PUMP BODY
				15	3	44-361	ADJUSTMENT SCREW O-RING	33	1	34-229	+ INLET NEEDLE
1	2	15-C67	M4 X 0.7 SOCKET CAP SCREW	16	1	16-B199	+* INLET SEAT GASKET	34	1	24-C353	THROTTLE RETURN SPRING
2	1	15-C19	4-40 UNC SCREW	17	1	36-A42	+ INLET SEAT	35	1	43-A254	ADJUSTMENT SCREW
3	1	15-C52	4-40 UNC SCREW	18	1	155-A27	+ INLET CONTROL LEVER	36	1	49-B135	FIXED JET
4	1	32-79	FULCRUM LEVER PIN	19	1	15-C20	4-40 UNC SCREW	47	1	13-2163	THROTTLE SHAFT
5	1	16-B392	+* PUMP GASKET	20	1	15-B329	FULCRUM LEVER SCREW	48	1	43-1044	M4 X 0.5 ADJUSTMENT SCREW ASSY H
6	1	237-223	FUEL PUMP DIAPHRAGM	21	2	81-382	RETAINING NUT	49	1	43-1043	M4 X 0.5 ADJUSTMENT SCREW ASSY L
7	1	141-89	FUEL PUMP BODY	22	1	14-A127	THROTTLE SHUTTER	50	1	12-1226	THROTTLE LEVER
								51	1	136-566	CABLE BRACKET

PARTS OF CARBURETTOR

**REF.28 - P. N°16-B408
DIAPHRAGM GASKET**



Thickness = 1.0 ± 0.1 mm

**REF.7 - P. N° 16-B392
PUMP DIAPHRAGM GASKET**



Thickness = 0.8 ± 0.1 mm

**REF.29 - P. N°237-698
DIAPHRAGM**



Thickness = 0.13 ± 0.07 mm

**REF.8 - P. N°237-223
PUMP DIAPHRAGM**



Thickness = 0.075 ± 0.07 mm

**REF.37 - P. N° 91-A275
DIAPHRAGM COVER**



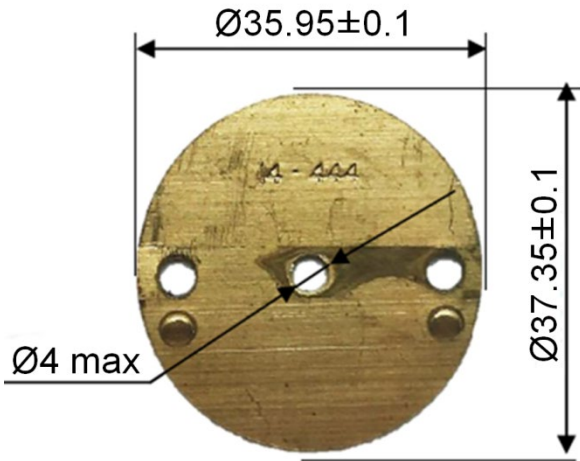
Thickness = 6.75 ± 0.15 mm

**REF.9 - P. N° 141-89
PUMP COVER**



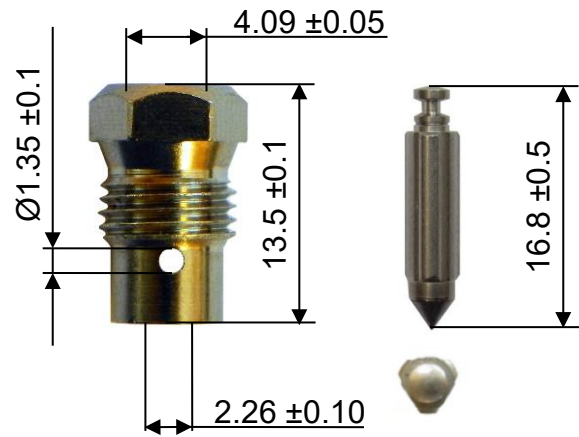
Thickness = 12.5 ± 0.15 mm

REF.26 - P. N° 14-A127
THROTTLE SHUTTER

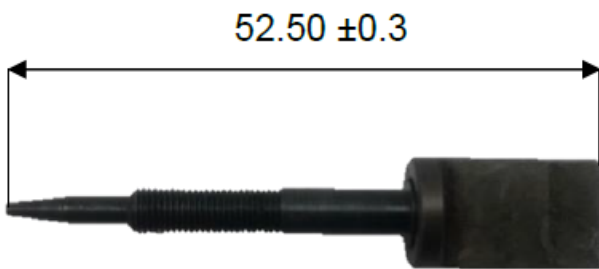


Thickness = 0.81 ± 0.1 mm

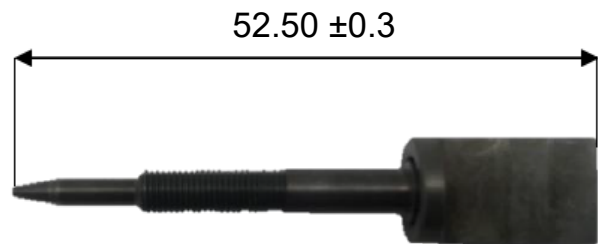
REF.20 / 38 - P. N° 233-717P
SEAT + NEEDLE



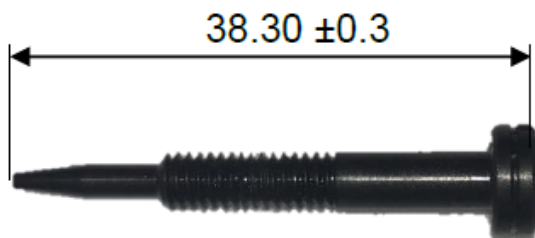
REF.2 - P. N° 43-1029
NEEDLE LOW SPEED



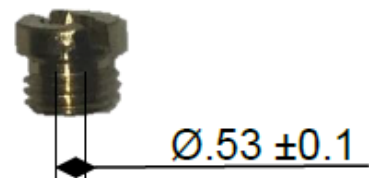
REF.3 - P. N° 43-1030
NEEDLE HIGH SPEED



REF.41 - P. N° 43-A254
NEEDLE AIR BLEED

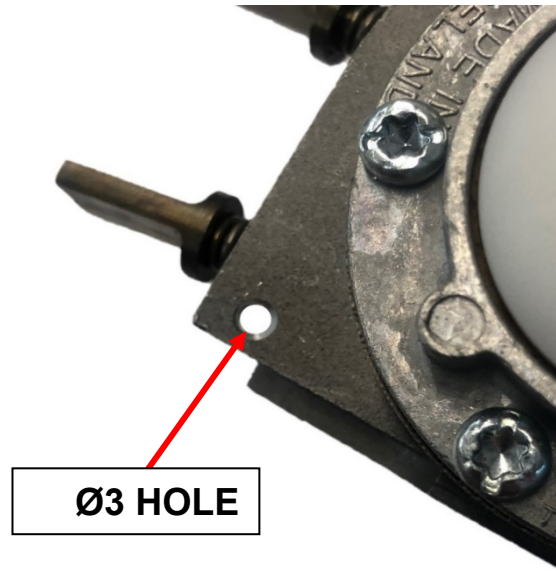


REF.44 - P. N° 49-B58
FIXED JET



HOLE FOR CARBURETTOR SEALING

The carburettor can have this hole for sealing.



BRACKET CABLE & LIMITER ALTERNATIVES TYPES

Type 1



Type 2

