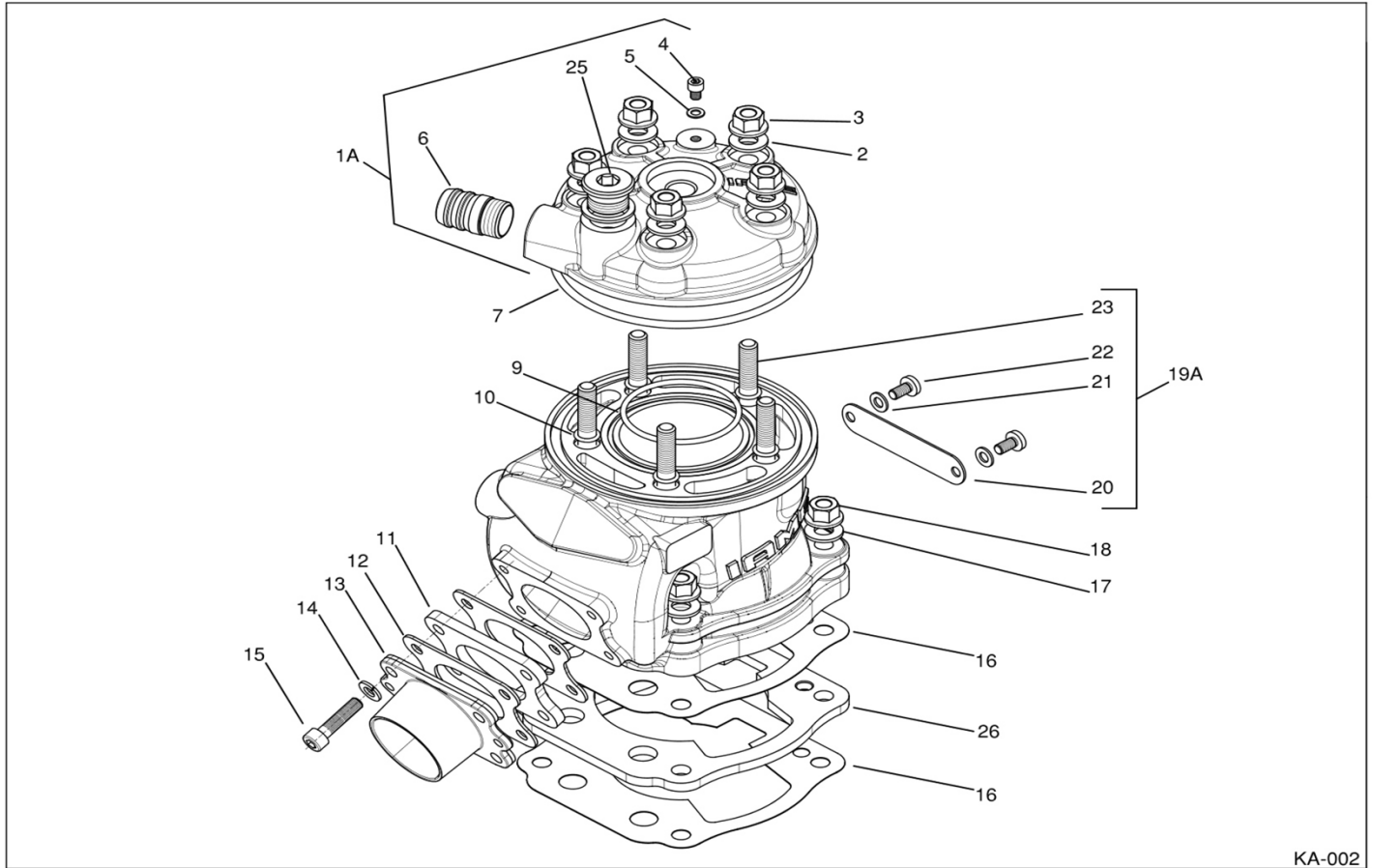




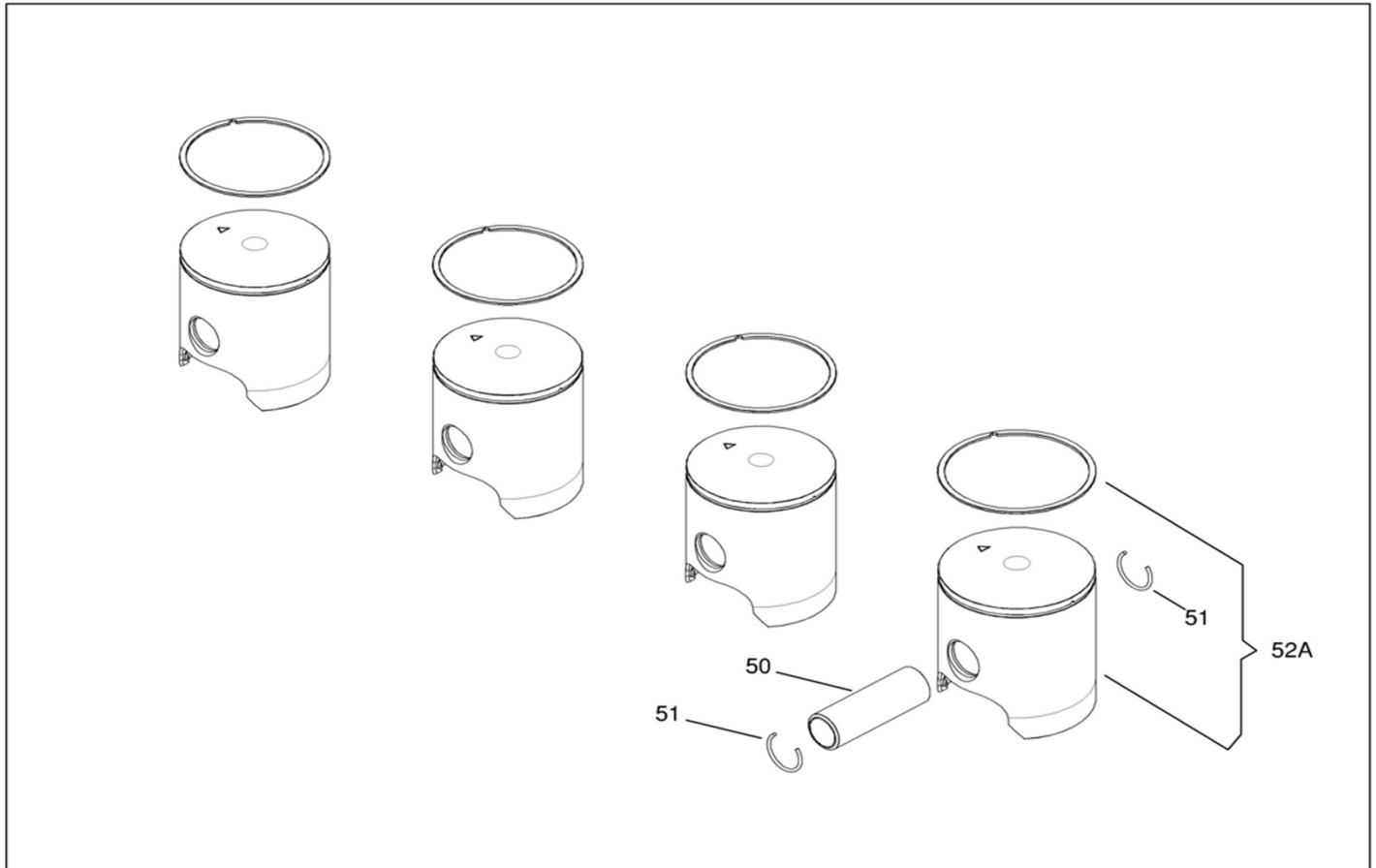
IAME SSE - 175cc USA





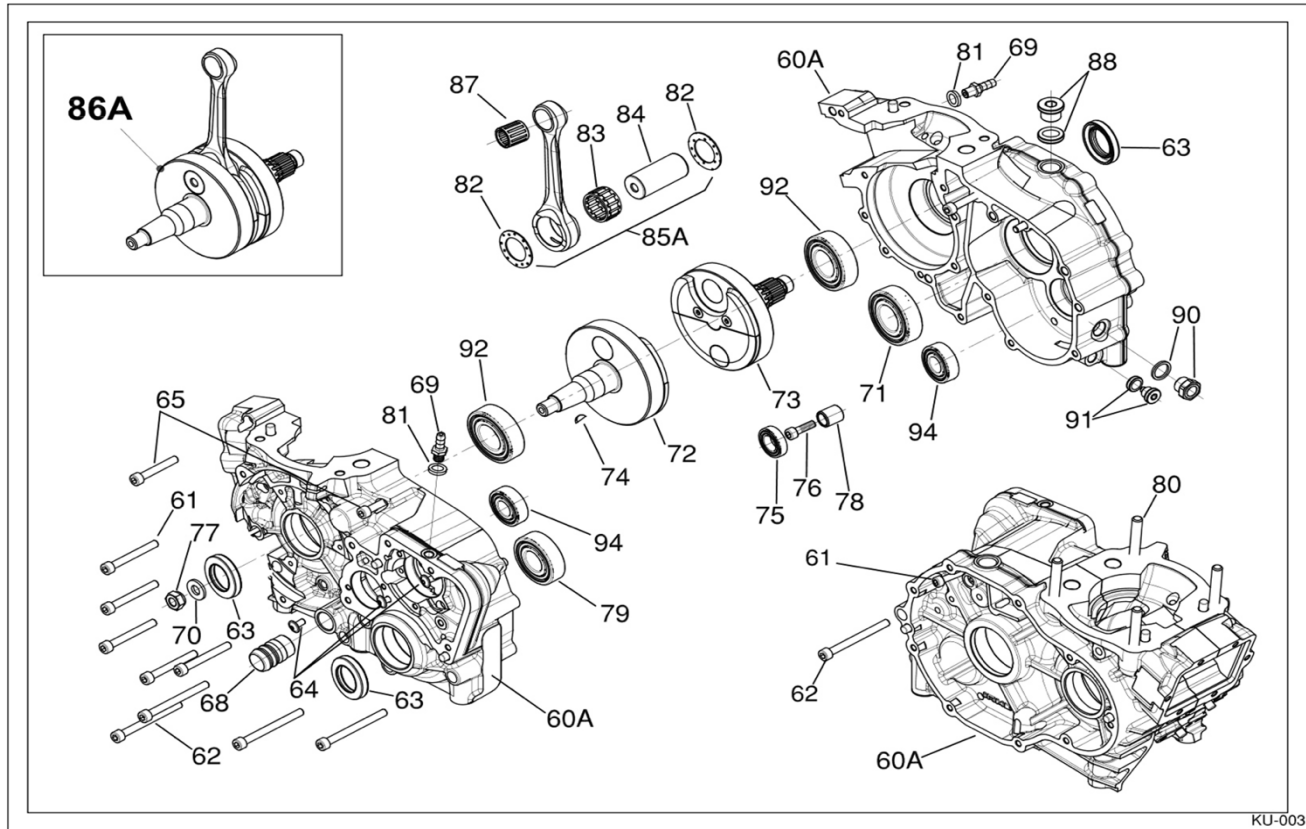
KA-002

POS	PART #	DESCRIPTION	USA RETAIL
1A	TZA-40100US-C	CYLINDER HEAD--SSE	\$ 136.18
2	00303-K	KIT OF 20 WASHERS M8	\$ 1.90
3	00363-K	KIT 20 FLANGE NUTS M8	\$ 6.34
3	10352	HEAD AND CYLINDER NUT FOR SEALING	\$ 8.35
4	00066-K	KIT 20 SOCKET H. SCREWS M6X12	\$ 9.54
5	00345	M6 WASHER	\$ 0.61
6	IFA-40500	WATER PIPE FITTING	\$ 10.40
7	IFA-40300	OUT HEAD GASKET OR REEDS. / KZ	\$ 3.12
9	TZA-90000	HEAD GASKET INT. OR	\$ 4.90
10	B-25825	OR STUD-BOLT	\$ 1.81
11	TZH-20501	EXHAUST SPACER 20mm	\$ 31.80
12	IFA-20500	EXHAUST PIPE GASKET REEDST/KZ	\$ 5.35
13	IFH-02000	EXHAUST PIPE FITTING REEDS./KZ	\$ 42.77
14	00331-K	KIT 20 EXHAUST WASHERS M6	\$ 1.61
15	00045-K	KIT 20 SOCKET H. SCREWS M6X25	\$ 4.57
16	TZB-10400-0.2	BASE CYL. GASKET 0.2 KZ-175cc	\$ 5.78
16	TZB-10400-0.4	BASE CYL. GASKET 0.4 KZ-175cc	\$ 6.07
16	TZB-10400-0.5	BASE CYL. GASKET 0.5 KZ-175cc	\$ 6.07
17	00303-K	KIT OF 20 WASHERS M8	\$ 1.90
18	IFA-20300	CYL. UNDERSIZE NUT REEDST./KZ	\$ 5.80
19A	TZA-01004	CYLINDER X30 SUPER SHIFTER Spec. USA	\$ 859.38
20	IJB-40500	SHIFTER ENGINE PLATE	\$ 11.99
21	00301-K	KIT 20 WASHERS M5	\$ 1.81
22	00257-K	20 SCREWS KIT M5x10	\$ 4.57
23	IFA-20200	STUDBOLT M8x51	\$ 7.76
25	IFA-90000	PLUG TCH4M M18x1.5	\$ 9.27
26	TZB-10500	CYL. BASE 5mm SPACER	\$ 54.36



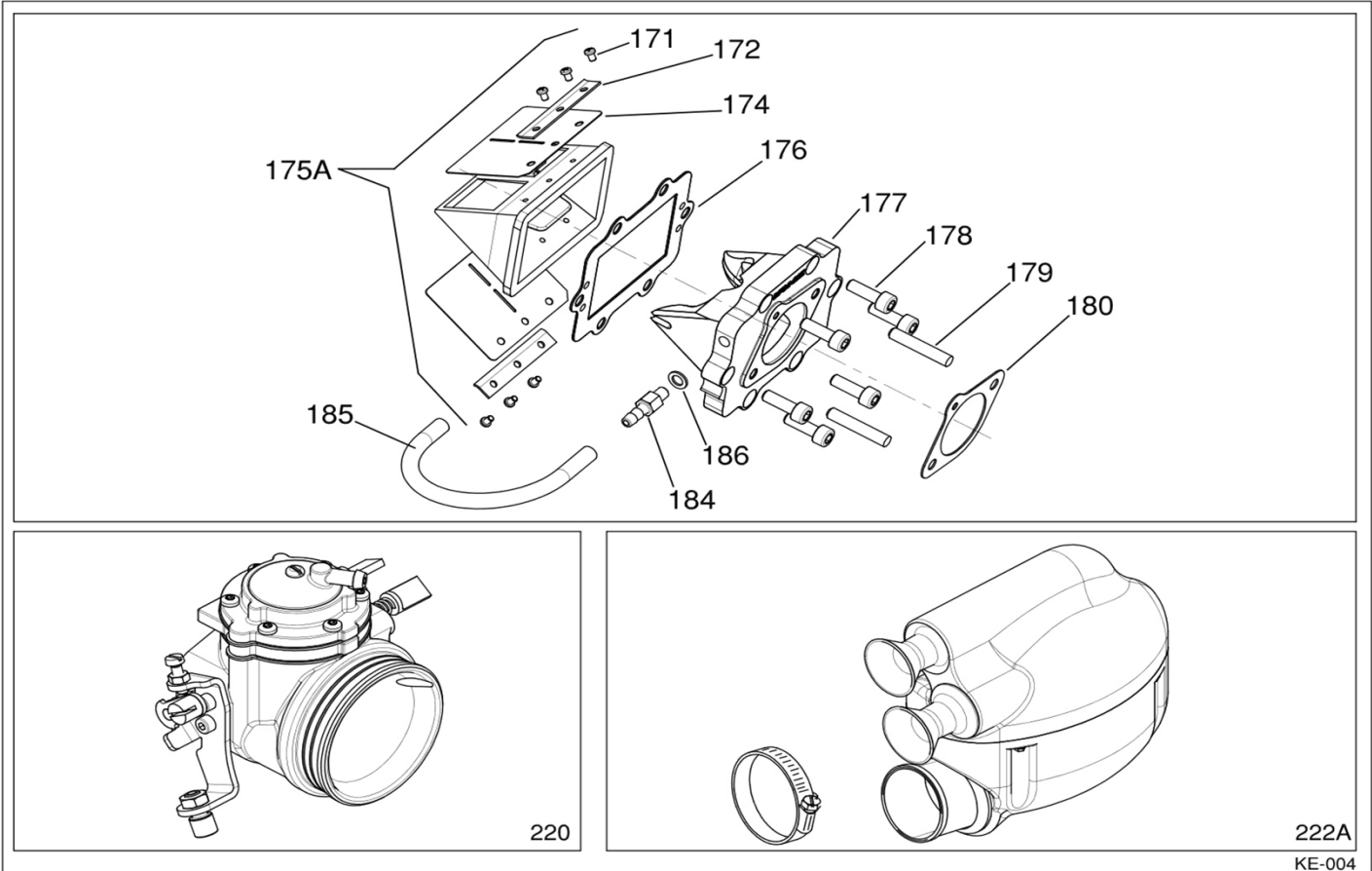
KT-001

POS	PART #	DESCRIPTION	USA RETAIL
50	TZA-20901	PISTON PIN 15x49	\$ 18.00
51	IFA-21050	CIRCLIP REEDSTER/KZ	\$ 1.61
52A	TZA-20602D-63.78CV	PISTON COMPLETE 63.78V	\$ 118.44
52A	TZA-20602D-63.80CV	PISTON COMPLETE 63.80V	\$ 118.44
52A	TZA-20602D-63.82CV	PISTON COMPLETE 63.82V	\$ 118.44
52A	TZA-20602D-63.84CV	PISTON COMPLETE 63.84V	\$ 118.44
52A	TZA-20602D-63.86CV	PISTON COMPLETE 63.86V	\$ 118.44
52A	TZA-20602D-63.88CV	PISTON COMPLETE 63.88V	\$ 118.44
52A	TZA-20602D-63.90CV	PISTON COMPLETE 63.90V	\$ 118.44
52A	TZA-20602D-63.92CV	PISTON COMPLETE 63.92V	\$ 118.44
52A	TZA-20602D-63.94CV	PISTON COMPLETE 63.94V	\$ 118.44
52A	TZA-20602D-63.96CV	PISTON COMPLETE 63.96V	\$ 118.44
52A	TZA-20602D-63.98CV	PISTON COMPLETE 63.98V	\$ 118.44
52A	TZA-20602D-64.00CV	PISTON COMPLETE 94.00V	\$ 118.44
52A	TZA-20602D-64.04CV	PISTON COMPLETE 64.04V	\$ 118.44
52A	TZA-20602D-64.08CV	PISTON COMPLETE 64.08V	\$ 118.44
52A	TZA-20602D-64.12CV	PISTON COMPLETE 64.12V	\$ 118.44
52A	TZA-20701-63.90	PISTON RING SSE 63.90	\$ 28.80
52A	TZA-20701-63.95	PISTON RING SSE 63.95	\$ 28.80
52A	TZA-20701-64.00	PISTON RING SSE 64.00	\$ 28.80
52A	TZA-20701-64.05	PISTON RING SSE 64.05	\$ 28.80
52A	TZA-20701-64.10	PISTON RING SSE 64.10	\$ 28.80
52A	TZA-20701-64.15	PISTON RING SSE 64.15	\$ 28.80
52A	TZA-20701-64.20	PISTON RING SSE 64.20	\$ 28.80

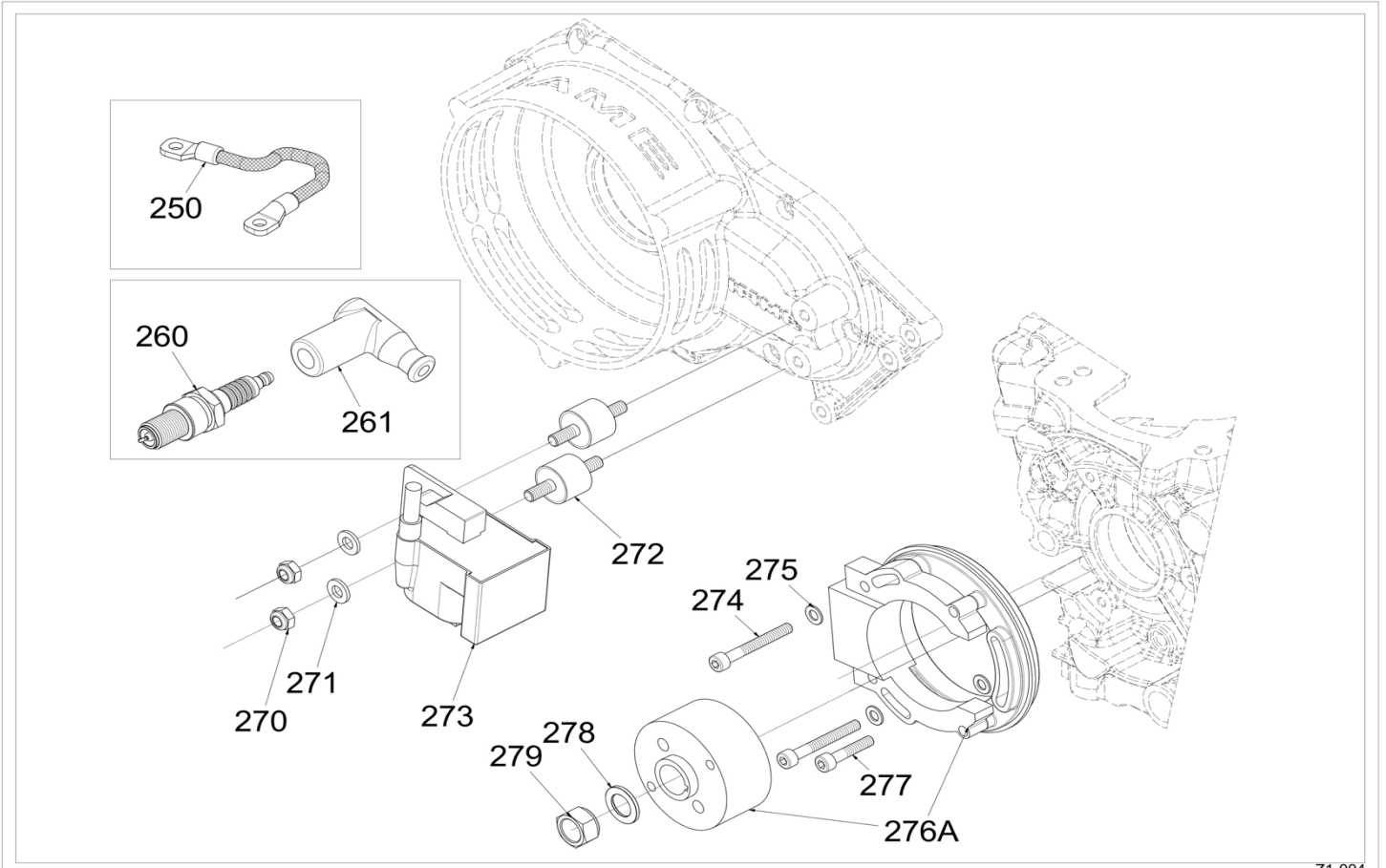


KU-003

POS	PART #	DESCRIPTION	USA RETAIL
60A	TZB-01002	CRANKCASE X30 SUPER SHIFTER SPEC. US	\$ 937.44
61	00050-K	KIT OF 20 ALLEN SCREWS 6x50	\$ 7.18
62	00053-K	20 SCREWS KIT M6X65	\$ 7.52
63	X30125425A	OIL SEAL MAGN./DRIVE SIDE	\$ 15.00
64	00280-K	20 SCREWS KIT W/FLANGE M5x10	\$ 20.45
65	00048-K	KIT OF 20 ALLEN SCREWS 6x40	\$ 7.18
68	IFA-40500	WATER PIPE FITTING	\$ 10.40
69	D-95800	PRESSURE FITTING	\$ 5.08
70	D-75565	THRUST INT. WASHER H=1,8mm	\$ 5.08
71	35396-1	BALL BEARING 6205 TN9/C5	\$ 20.44
72	TZC-30101	HALF CRANKSHAFT IGN. SIDE X30 SUPER SHIFTER USA	\$ 174.96
73	TZC-20101	HALF CRANKSHAFT TRANS. SIDE X30 SUPER SHIFTER USA	\$ 172.56
74	11715	SHAFT END/SPROCKET/MAGNETO KEY	\$ 3.56
76	00044-K	KIT 20 ALLEN SCR. CYL. H. 6x20	\$ 4.88
77	10535	SPROCKET AND MAGNETO NUT	\$ 5.66
78	IZF-22300	SHIFTING DRUM SUPPORT	\$ 19.44
79	10400-F	BALL BEARING SKF 6204 TN9/C5	\$ 20.38
80	TZA-20200	CYLINDER STUDBOLT M8x56	\$ 13.93
80	TZA-20201	CYLINDER STUDBOLT M8x68	\$ 11.16
81	B-71805	PRESSURE Cu FITT. GASKET	\$ 1.81
82	TZC-70101	SILVER BRONZE WASHER	\$ 8.03
83	TZC-50200	BIG END ROLLER CAGE 22x28x15	\$ 54.02
84	TZC-40100	CRANK PIN 22x48.8	\$ 17.33
85A	TZC-50102-C	SSE CONROD ASSY 115mm, 22mm PIN, (ONE OIL SLOT)	\$ 189.62
85A	TZC-50103-C	SSE CONROD ASSY 115mm, 22mm PIN, (TWO OIL SLOTS)	\$ 200.57
86A	TZC-00102	CRANKSHAFT COMPLETE X30 SUPER SHIFTER USA	\$ 717.38
87	IFC-50350	SMALL END ROLLER CAGE	\$ 13.92
88	IZF-90500	PLUG TCE M16x1.5	\$ 4.29
90	IZB-90000	OIL LEVEL GAUGE	\$ 9.72
91	IZF-90505	MAGNETIC PLUG TCEM M10x1	\$ 6.79
92	35398A	ROLLER BEARING 6205 BC1-1442D	\$ 77.95
94	IZF-90510	BALL BEARING SKF 6202 TN9/C4H	\$ 14.51
95	IZF-02800	CLUTCH CABLE SEAT	\$ 15.60
	TZC-30202-K	CRANK PLASTIC STUFFER KIT - SSE (1 Piece + Screws)	\$ 41.96

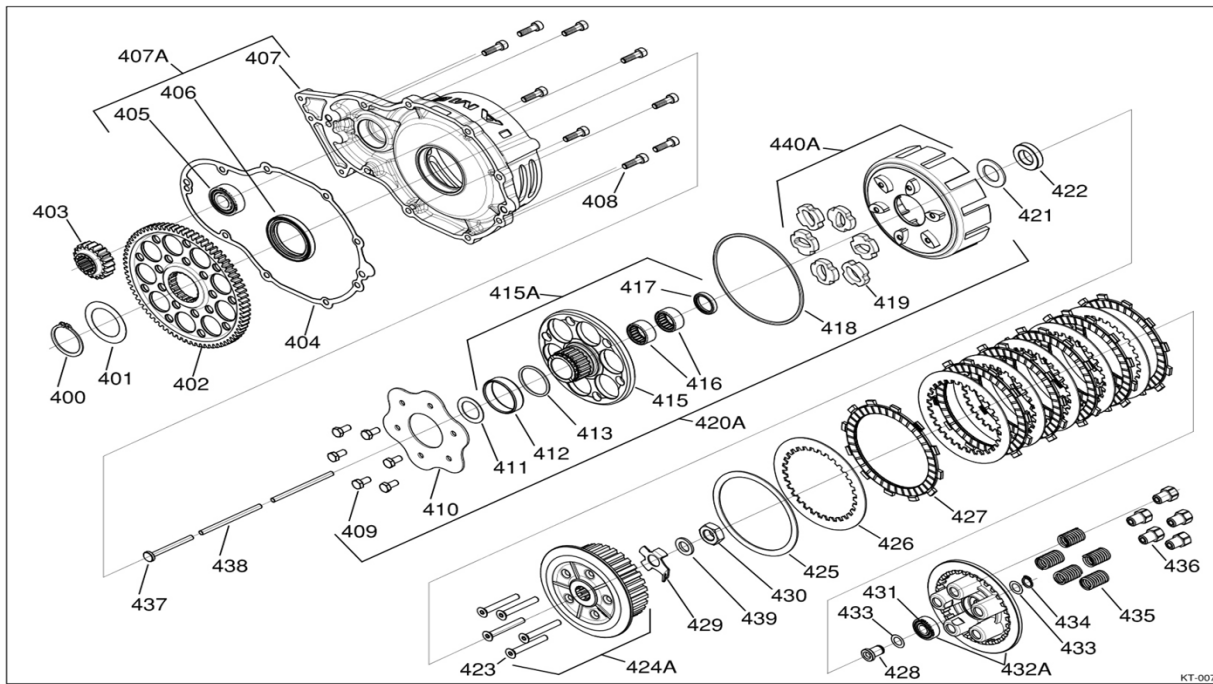


POS	PART #	DESCRIPTION	USA RETAIL
171	10380	REEDS SCREW	\$ 1.77
172	IZG-20200	REED PETALS LOCKING PLATE	\$ 6.73
174	TZG-20300-C	KIT CARBON REED PETALS 175cc	\$ 66.96
175A	TZG-02000	REED VALVE ASSEMBLY	\$ 158.64
176	IZB-41100	CONVEYOR GASKET KZ	\$ 7.71
177	TZB-41001B	MANIFOLD CONVEYOR SSE175 TILLOTSON	\$ 139.26
178	00044-K	KIT 20 ALLEN SCR. CYL. H. 6x20	\$ 4.88
179	10358	STUDBOLT 6x34	\$ 5.08
180	TFG-04000	CARB. GASKET X30 SUPER TILL.	\$ 6.44
182	B-71805	PRESSURE Cu FITT. GASKET	\$ 1.81
183	D-95800	PRESSURE FITTING	\$ 5.08
184	IFG-50000	M6 PRESSURE FITTING	\$ 12.34
186	345	M6 WASHER	\$ 0.61
220	TI-HB-15A	CARBURETTOR TILLOTSON HB-15A	\$ 420.00
222A	IZG-90005A-C	INLET SILENCER NOX R&R 30mm	\$ 99.72
	IZG-90007	AIRBOX FILTER ELEMENT	\$ 70.99
	IZG-20400	REED STIFFENER - DOUBLE ARCH TYPE	
	IZG-20452	REED STIFFENER - SINGLE ARCH TYPE	\$ 19.60

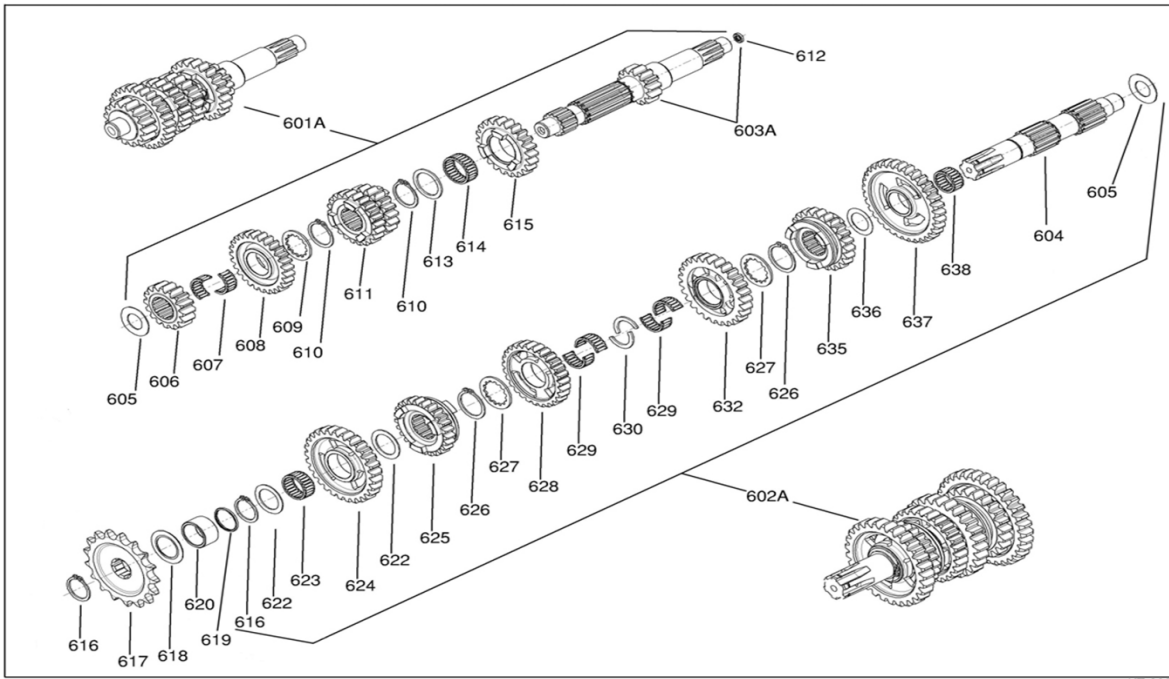


Z1-004

POS	PART #	DESCRIPTION	USA RETAIL
250	B-35805-A	COIL GROUND CABLE	\$ 8.30
260	SP-BR10EG	SPARK PLUG NGK BR10EG	\$ 12.95
260	SP-R6252K	SPARK PLUG NGK R6252K-105	\$ 10.95
261	10544	IAME SPARK PLUG CAP BLACK	\$ 13.00
270	00378-K	20 SELF LOCKING NUTS KIT M6	\$ 4.57
271	00302-K	KIT 20 WASHERS M6	\$ 1.81
272	B-35810	COIL DAMPENER	\$ 9.24
273	10026	PVL COIL	\$ 133.10
274	00042-K	KIT 20 SCREWS TCCE 6x16	\$ 4.57
275	00301-K	KIT 20 WASHERS M5	\$ 1.81
276A	10016-A	PVL-SUPER IGNITION	\$ 198.24
277	00034-K	KIT OF 20 ALLEN SCREWS 5x25	\$ 4.57
278	D-75565	THRUST INT. WASHER H=1,8mm	\$ 5.08
279	10535	SPROCKET AND MAGNETO NUT	\$ 5.66

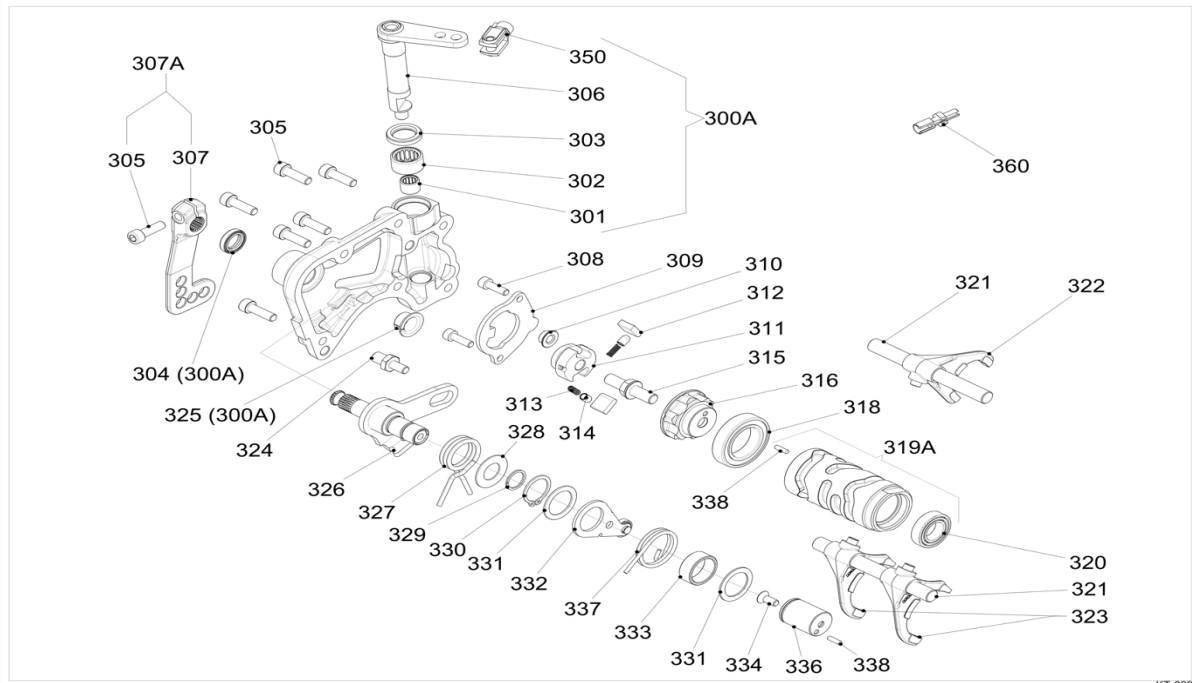


POS	PART #	DESCRIPTION	USA RETAIL
400	IZF-90070	SEEGER RING A35 DIN471	\$ 1.31
401	IZF-90060	SAFETY CONE SPRING	\$ 5.17
402	IZF-02400	PRIMARY DRIVEN GEAR	\$ 198.77
403	IZC-22400	PRIMARY TRANSMISS. SPROCKET	\$ 91.58
404	IZB-40300	PRIMARY TRANSM. COVER GASKET	\$ 9.00
405	IMB-20100	BEARING 6202 T1XC4	\$ 18.90
406	IZF-90010	PRIMARY TRANSM. OIL SEAL	\$ 5.02
407A	IZB-40200B-C	PRIMARY TRANSMISS. COVER X30 S. SHIFTER USA	\$ 240.12
408	00044-K	KIT 20 ALLEN SCR. CYL. H. 6x20	\$ 4.88
409	00161-K	KIT OF 20 HEX. SCREWS 6x12	\$ 7.47
410	IZF-00900	SHOCK ABSORBER PLATE	\$ 13.72
411	IZF-02500	SHIM PRIMARY DRIVEN GEAR	\$ 9.40
412	IZF-01100	OIL SEAL BUSH	\$ 22.64
413	IZF-90030	O'RING 3131 FPM 75	\$ 2.09
415A	IZF-01000-C	COMPL. SHOCK ABSORBER HUB	\$ 243.12
416	IZF-90000	NEEDLE BEARING	\$ 13.07
417	IZF-90015	OIL SEAL G20x26x4B	\$ 12.17
418	IZF-90035	OIL SEAL	\$ 1.33
419	IZF-00800	DAMPER SHOCK ABSORBER	\$ 2.16
420A	IZF-00200	SHOCK ABSORBERS ASSEMBLY	\$ 344.38
421	IZF-90080	SPACER RING PS 22x32x1	\$ 1.91
422	IZF-02200	CLUTCH DRUM SPACER	\$ 14.58
423	00129-K	20 FLATHEAD SCREWS KIT M6x45	\$ 5.33
424A	IZF-05000	CLUTCH DRUM WITH SCREWS	\$ 94.92
425	IZF-02100	SAFETY CONE SPRING	\$ 9.22
426	IZF-00700	BARE CLUTCH DISC	\$ 10.80
427	IZF-00600	PADDED CLUTCH DISC	\$ 12.95
428	IZF-01400	THRUST BEARING PLATE	\$ 20.66
429	IZF-01700	CLUTCH NUT WASHER	\$ 8.32
430	00364	NUT M14x1	\$ 18.36
431	IZF-90460	THRUST BEARING PLATE	\$ 12.31
432A	IZF-04000	PRESS. PLATE W/ BALL BEARING	\$ 81.41
433	IZF-90090	SPACER RING	\$ 1.37
434	IZF-90065	SEEGER RING A10 DIN471	\$ 0.32
435	IZF-01202	CLUTCH SPRING '14	\$ 13.64
436	IZF-01301	CLUTCH SPRING RETAINER	\$ 13.68
437	IZF-01600	CLUTCH PUSH PLATE	\$ 15.66
438	IZF-01500	PUSH ROD CLUTCH	\$ 4.18
439	IZF-02300	CLUTCH NUT WASHER	\$ 7.99
440A	IZF-00300	CLUTCH DRUM W/SHOCK ABSORB.	\$ 71.23



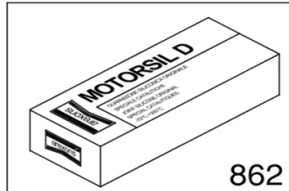
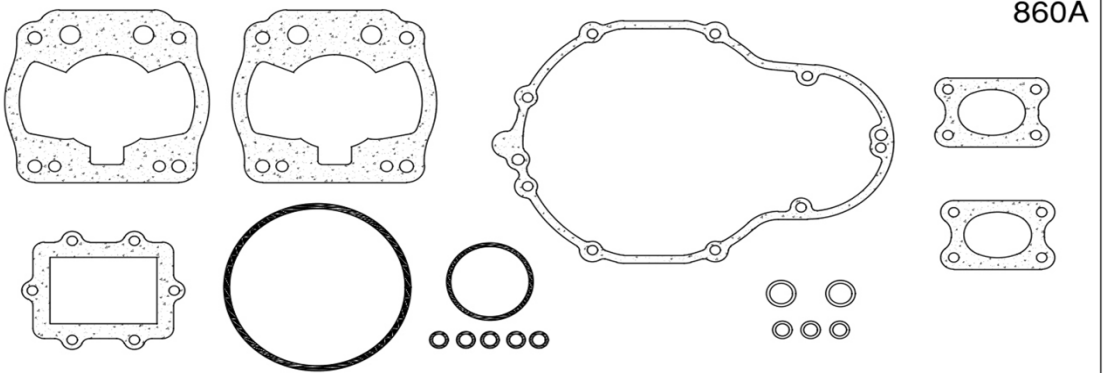
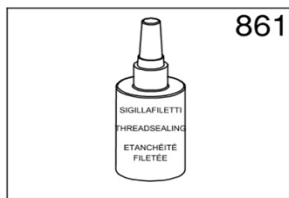
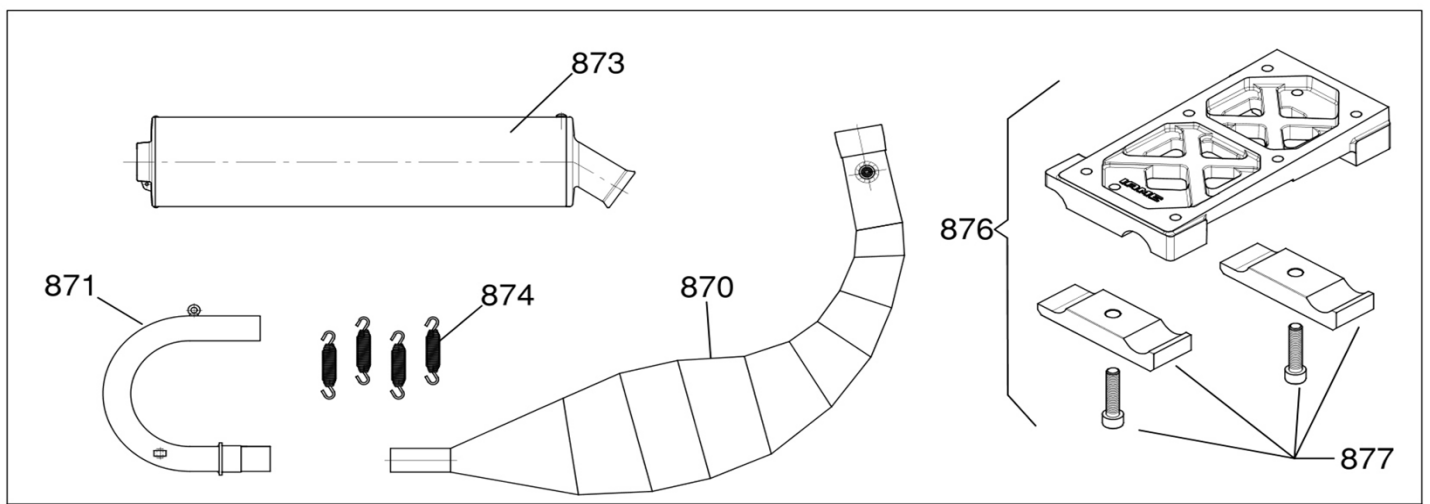
KT-008

POS	PART #	DESCRIPTION	USA RETAIL
601A	IZF-30000	COMPLETE PRIMARY SHAFT	\$ 846.10
602A	IZF-31000	COMPLETE SECONDARY SHAFT	\$ 807.94
603A	IZF-20100-C	PRIMARY SHAFT WITH RING	\$ 249.53
604	IZF-20200	SECONDARY SHAFT	\$ 155.02
605	IZF-21900	SHIM PRIMARY/SECONDARY SHAFT	\$ 2.63
606	IZF-20300	2nd G. DRIVE GEAR	\$ 72.55
607	IZF-20450	SPLITTED ROLLER CAGE K18x22x10	\$ 31.70
608	IZF-20600	6th G. DRIVE GEAR	\$ 75.22
609	IZF-21400	SPLINED SHIM 6th SPEED	\$ 9.68
610	IZF-90045	SEEGER RING A22 DIN471	\$ 0.50
611	IZF-20400	3rd/4th G. DRIVE GEAR	\$ 131.59
612	IZF-90020	OIL SEAL GR5x9x2	\$ 12.78
613	IZF-21300	5th GEAR SHIM	\$ 4.72
614	IZF-20452	ROLLER CAGE	\$ 11.41
615	IZF-20500	5th G. DRIVE GEAR	\$ 85.20
616	IZF-90055	SEEGER RING A20 DIN471	\$ 0.63
617	IZF-25800	SPROCKET Z15	\$ 37.30
617	IZF-25900	SPROCKET Z16	\$ 37.30
617	IZF-26000	SPROCKET Z17	\$ 37.30
617	IZF-26100	SPROCKET Z18	\$ 37.30
617	IZF-26200	SPROCKET Z19	\$ 37.30
617	IZF-26300	SPROCKET Z20	\$ 37.30
618	IZF-90120	SAFETY CONE SPRING "AL"	\$ 1.40
619	IZF-90025	O'RING 2075 NBR 70	\$ 0.29
620	IZF-25300	CHAIN SPROCKET SPACER	\$ 19.75
622	IZF-90075	SPACER RING	\$ 2.09
623	IZF-90400	ROLLER CAGE K20	\$ 13.14
624	IZF-20800	2nd G. DRIVEN GEAR	\$ 121.44
625	IZF-21200	6th G. DRIVEN GEAR	\$ 103.39
626	IZF-90050	SEEGER RING A24 DIN471	\$ 0.97
627	IZF-21700	SPLINED SHIM 21x32x0.8	\$ 8.03
628	IZF-21000	4th G. DRIVEN GEAR	\$ 111.86
629	IZF-20451A	SPLIT. ROLLER CAGE K20x24x10	\$ 31.70
630	IZF-21800	HALF SHIM 3rd / 4th SPEED	\$ 4.07
632	IZF-20900	3rd G. DRIVEN GEAR	\$ 150.24
635	IZF-21100	5th G. DRIVEN GEAR	\$ 108.72
636	IZF-21500	SHIM 1st SPEED	\$ 4.39
637	IZF-20700	1st G. DRIVEN GEAR	\$ 94.01
638	IZF-90405	ROLLER CAGE K17	\$ 19.22



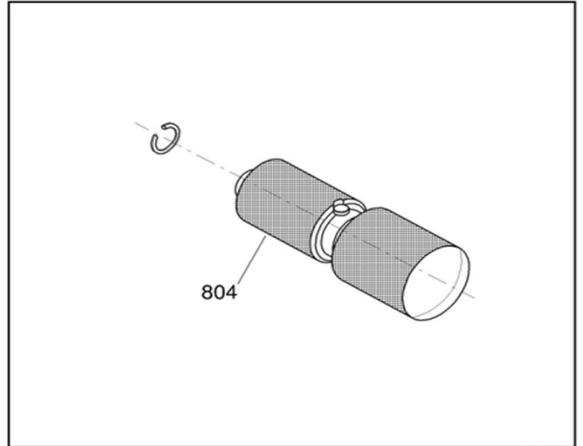
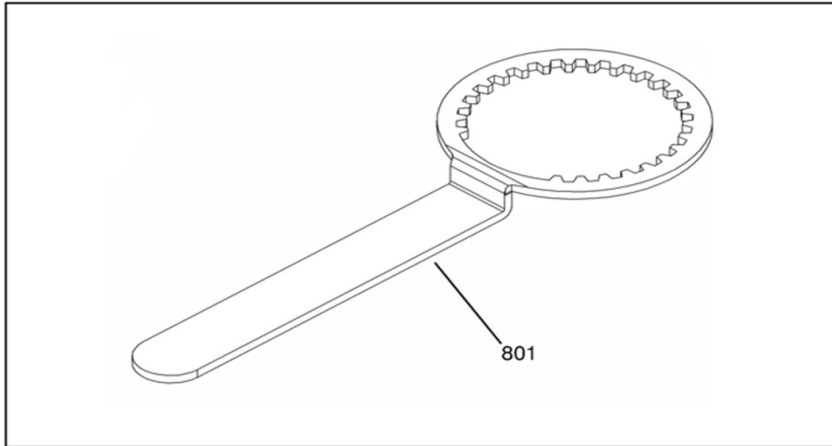
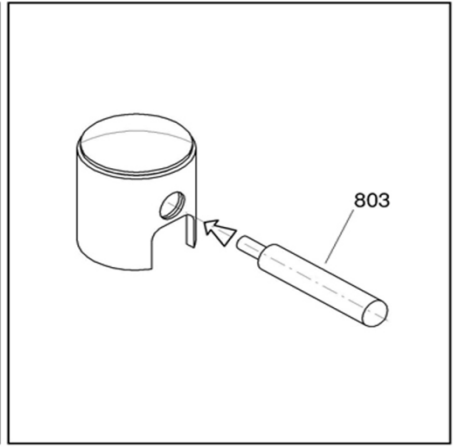
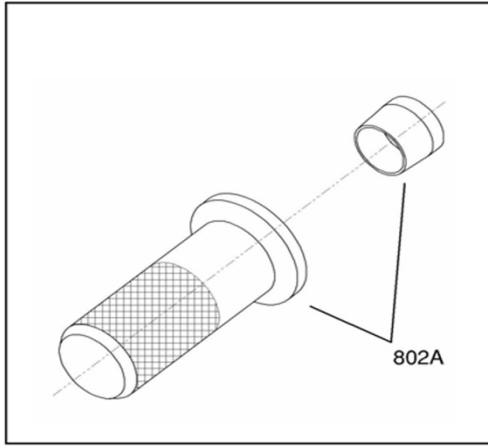
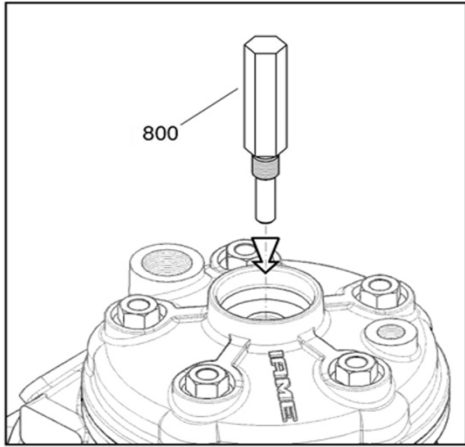
KT-009B

POS	PART #	DESCRIPTION	USA RETAIL
300A	Z1NB05000	COMP. SELECTOR COVER SHIFTER	\$ 153.05
301	A-60865	ROLLER CAGE TaG	\$ 11.28
302	IZF-90410A	NEEDLE BEARING HK1412	\$ 13.06
303	IZF-90125	OIL SEAL	\$ 9.66
304	IZF-90115	OIL SEAL	\$ 9.12
305	00044-K	KIT 20 ALLEN SCR. CYL. H. 6x20	\$ 4.88
306	IZF-01800	CLUTCH CONTROL LEVER	\$ 45.58
307A	Z1NF24900-C	SHIFT LEVER COMPLETE	\$ 38.35
308	00031-K	KIT OF 20 ALLEN SCREWS M5x16	\$ 5.08
309	IZF-23800	RATCHET PLATE	\$ 16.20
310	IZF-23700	SPRING LATCH SUPP. BUSH	\$ 9.61
311	IZF-23000	RATCHET SUPPORT	\$ 77.35
312	IZF-23400	SHIFTING RATCHET	\$ 17.64
313	IZF-23601	RATCHET PUSH PAD	\$ 1.73
314	IZF-23500	PUSH ROD RATCHET	\$ 7.74
315	IZF-22900	SHIFTER PIN	\$ 21.07
316	IZF-22000	PRESELECTOR CAM	\$ 99.17
318	IZF-90450	BALL BEARING 6905 T1xC3	\$ 43.99
319A	IZF-22200-C	LIGHTENED SHIFTING DRUM	\$ 127.58
320	IZF-90455	BALL-BEARING 61902 T9C4	\$ 27.17
321	IZF-22800	FORKS GUIDE SHAFT	\$ 17.50
322	IZF-22400	SHIFTING PRIMARY FORK	\$ 116.57
323	IZF-22600	SHIFTER SECONDARY FORK	\$ 116.57
324	IZF-24800	RETAINER SPRING	\$ 14.98
325	IZF-90105	FLANGED BUSH	\$ 3.49
326	IZF-23100	PRESELECTOR CONTROL SHAFT	\$ 86.21
327	IZF-24000	PRESELECTOR SHAFT SPRING	\$ 6.23
328	IZF-25700	SPRING WASHER	\$ 3.96
329	IZF-90100	ELASTIC RING SW14	\$ 0.54
330	IZF-90055	SEEGER RING A20 DIN471	\$ 0.63
331	IZF-90075	SPACER RING	\$ 2.09
332	IZF-24600	LOCATING LEVER	\$ 69.30
333	IZF-24500	GEAR POSITION SPACER	\$ 31.25
334	00111-K	20 SCREWS KIT TORX M5x10	\$ 10.34
335	IZF-90110	BUSH MU TFP 1210	\$ 0.72
336	IZF-24100	SHIFTER PIN BUSH SUPPORT	\$ 28.18
337	IZF-24701	LOCATION LEVER SPRING	\$ 14.98
338	IZF-90085	NEEDLE N3x9.8 AB2	\$ 13.08
350	IZF-02600	SHORT FORK M6	\$ 11.41
360	IZF-02800	CLUTCH CABLE SEAT	\$ 15.60



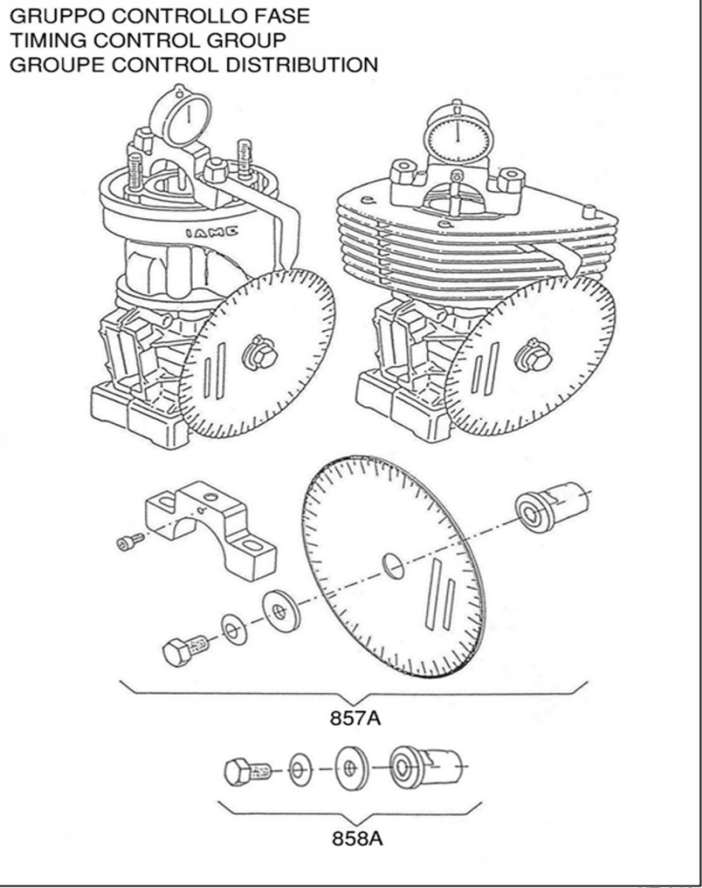
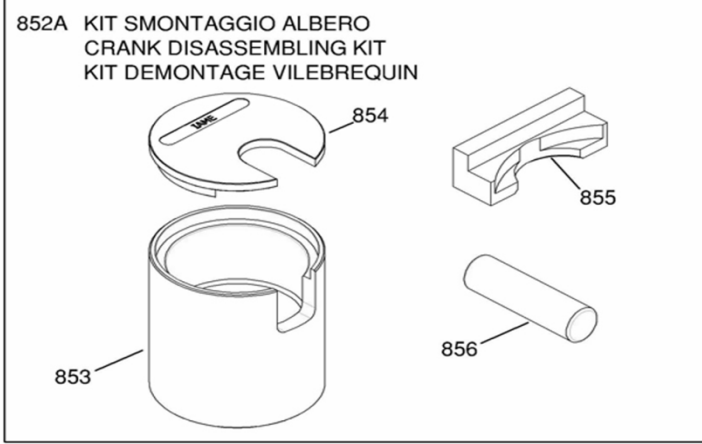
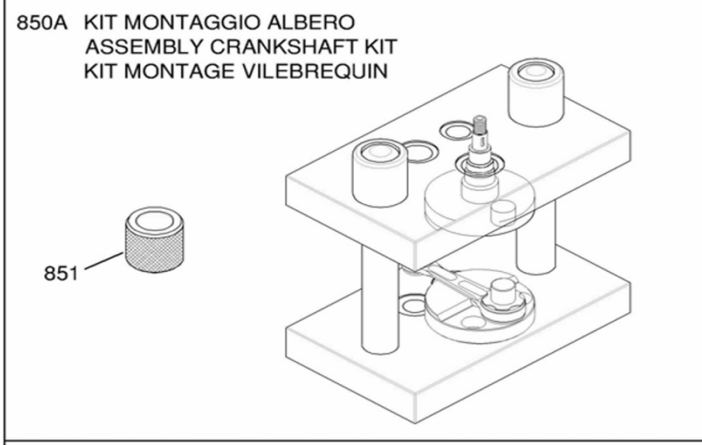
KI-011B

POS	PART #	DESCRIPTION	USA RETAIL
860A	IZZ-125991	GASKETS SET 175cc	\$ 22.82
862	00602	GASKET AREXON	\$ 43.59
870+871	IZH-04000-C	EXHAUST SHIFTER W/TAIL PIPE - 21/M/18	\$ 356.18
871	IZH-06100	TAIL PIPE KZ 28mm	\$ 28.01
873	IZH-06000	ELTO SILENCER 125S KZ	\$ 229.25
874	IFH-55100	FLEXIBLE SPRING KF1-2 / KZ	\$ 9.32
876	IZB-50006	ENGINE MOUNT MAG 3deg W/CL	\$ 286.44
877	IZB-51000-C	MAGNESIUM ENGINE MOUNT CLAMPS KIT W./SCREWS	\$ 27.50



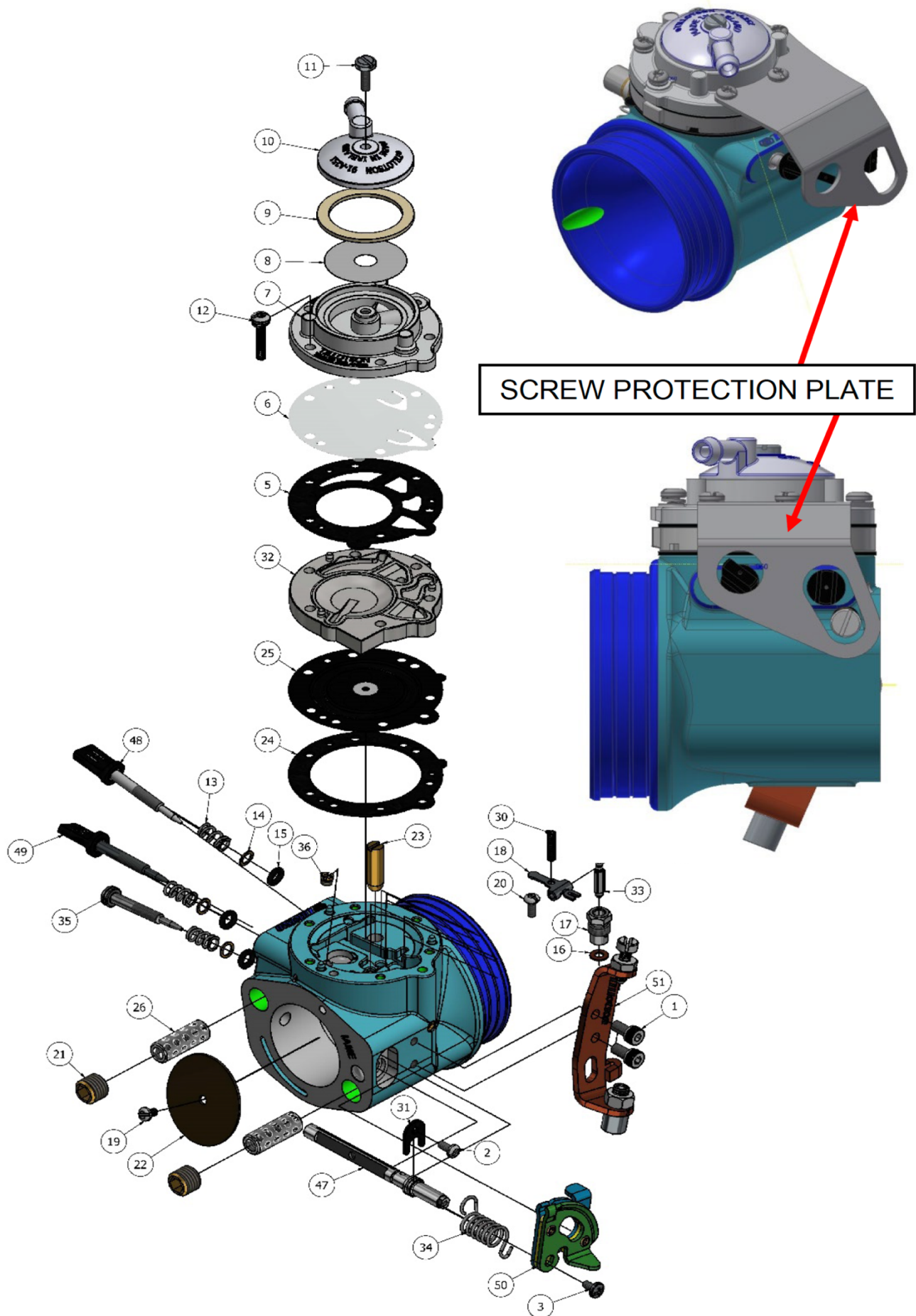
RT-012

POS	PART #	DESCRIPTION	USA RETAIL
800	10271	PISTON STROKE LOCKER	\$ 38.12
801	ATT-031/2	CLUTCH DRUM LOCKING TOOL	\$ 39.82
802A	ATT-031/3	OIL SEAL MOUNTING TOOL	\$ 95.14
803	ATT-017	PISTON PIN PUNCH d.15mm	\$ 27.71
804	ATT-006	CIRCLIP 15mm ASSEM. TOOL	\$ 193.57
	10826-C	ROTOR PULLER PVL/SELETTRA	\$ 36.03
	ATT-048	ROLLER BEARING INNER RACE PULLER SSE	\$ 165.35



KT-013

POS	PART #	DESCRIPTION	USA RETAIL
850A	10110A	CRANKSHAFT ASSY TOOL	\$ 1,956.82
851	10150A	CRANK-PIN BUSH 20mm	\$ 73.15
853	10100	CRANKSH. DISASSY SUPPORT	\$ 167.09
854	10104A	CRANKSHAFT PLATE 125cc	\$ 100.61
855	10106	CRANKSHAFT INSERT 125cc-SUP	\$ 54.29
856	10107	CRANK-PIN PUSHER	\$ 11.66
857A	10820A	TIMING CHECK DISC TaG/REEDSTER	\$ 130.03



TILLOTSON HW-15A CARB (THROTTLE LEVER TYPE 2)			SSE
POS	PART #	DESCRIPTION	USA RETAIL
1	TI-15-C67X	CABLE BRACKET RETAINING SCREW	\$ 8.70
2	TI-15-C19X	THROTTLE SHAFT CLIP RETAINING SCREW	\$ 8.70
3	TI-15-C52X	THROTTLE LEVER RETAINING SCREW	\$ 12.20
4	TI-32-79X	FULCRUM LEVER PIN	\$ 5.90
5	TI-16-B407X	HW-15A FUEL PUMP GASKET (10 Pack)	\$ 24.07
6	TI-237-223X	FUEL PUMP DIAPHRAGM	\$ 43.55
7	TI-141-89T	FUEL PUMP BODY	\$ 9.67
8	TI-95-170X	FUEL STRAINER SCREEN	\$ 9.20
9	TI-16-B205X	+* FUEL STRAINER COVER GASKET	\$ 6.60
10	TI-91-A251	FUEL STRAINER COVER	\$ 3.04
11	TI-15-B313X	FUEL STRAINER COVER RETAINING SCREW	\$ 7.10
12	TI-15-C51X	FUEL PUMP BODY SCREW	\$ 9.10
13	TI-24-B449X	ADJUSTMENT SCREW SPRING	\$ 5.90
14	TI-78A-256X	ADJUSTMENT SCREW WASHER	\$ 7.60
15	TI-44-361X	ADJUSTMENT SCREW O-RING	\$ 10.40
16	TI-16-B199X	+* INLET SEAT GASKET	\$ 5.30
17	TI-36-A42	+ INLET SEAT	
18	TI-155-A27X	+ INLET CONTROL LEVER	\$ 9.60
19	TI-15-C20X	THROTTLE SHUTTER SCREW	\$ 8.70
20	TI-15-B329X	FULCRUM LEVER SCREW	\$ 6.90
21	TI-81-382	RETAINING NUT	
22	TI-14-A127	THROTTLE SHUTTER	\$ 19.11
23	TI-363-332	MAIN NOZZLE	\$ 11.16
24	TI-16-B406X	DIAPHRAGM GASKET (10 Pack)	\$ 8.32
25	TI-237-698	+* DIAPHRAGM ASSEMBLY	
26	TI-81-381	CARBURETTOR MOUNTING NUT	\$ 5.47
30	TI-24-C298X	INLET TENSION SPRING 42g	\$ 31.48
31	TI-29-253	THROTTLE SHAFT CLIP	\$ 1.71
32	TI-91-A275	DIAPH. COVER CENTER PLATE	\$ 7.07
33	TI-34-229X	+ INLET NEEDLE	\$ 55.70
34	TI-24-C353	THROTTLE RETURN SPRING	\$ 1.95
35	TI-43-A254	ADJUSTMENT SCREW	
36	TI-49-B135	FIXED JET	
47	TI-13-2163	THROTTLE SHAFT TYPE 2	\$ 14.95
48	TI-43-1044	M4 X 0.5 ADJUSTMENT SCREW ASSY H	\$ 9.74
49	TI-43-1043	M4 X 0.5 ADJUSTMENT SCREW ASSY L	\$ 9.74
50	TI-12-1226	THROTTLE LEVER	\$ 17.20
51	TI-136-566	CABLE BRACKET	\$ 51.27
		* REPAIR KIT CONTENTS	
		+ DIAPHRAGM & GASKET KIT CONTENTS	
	TI-RK-1HB	REPAIR KIT	\$ 32.95
	TI-DG-1HB	DIAPHRAGM & GASKET KIT	\$ 14.95
	TI-233-717P	INLET NEEDLE & SEAT SET	\$ 18.12