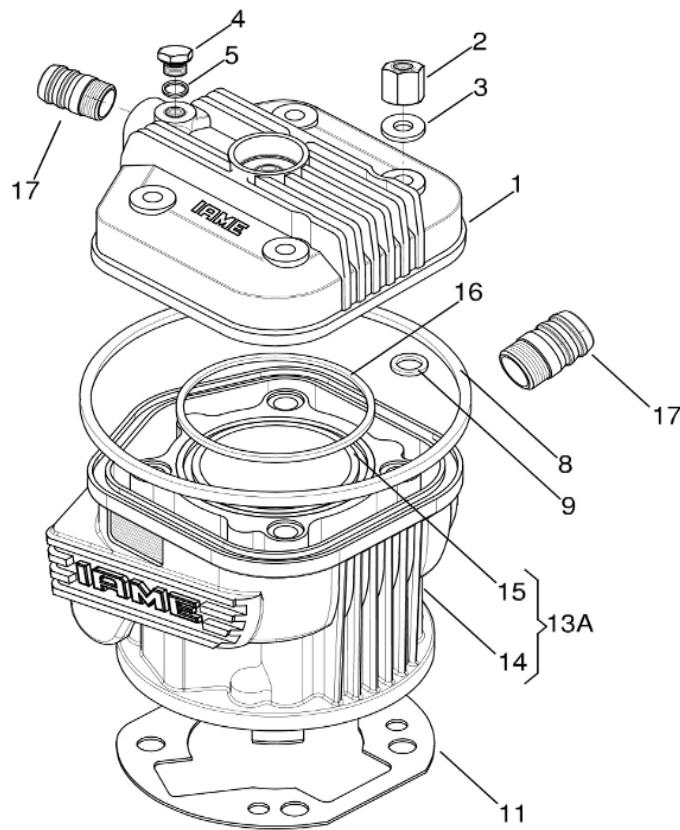


# **IAME**<sup>®</sup>

*THE HEART OF KART*

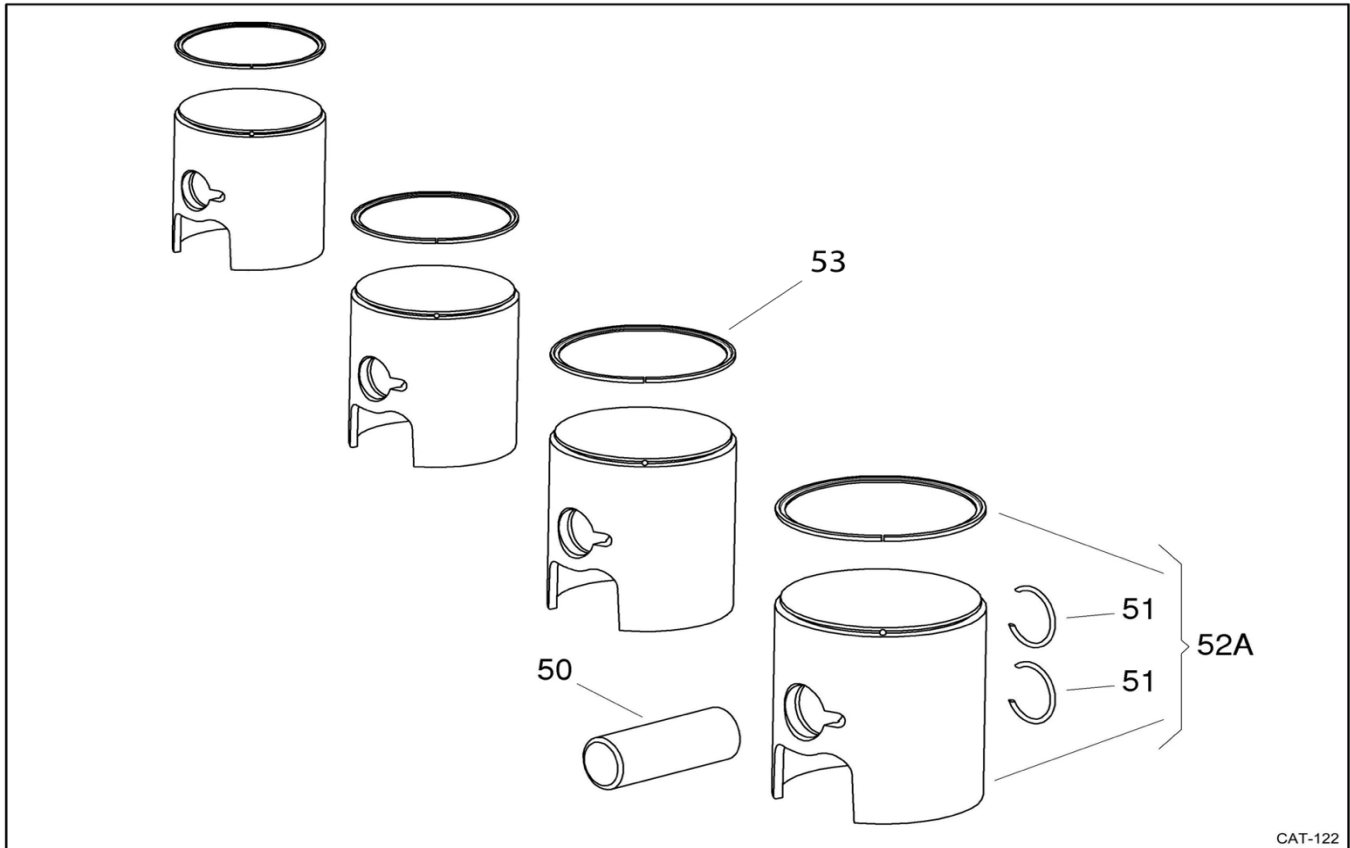
**IAME X30 - 125cc USA**





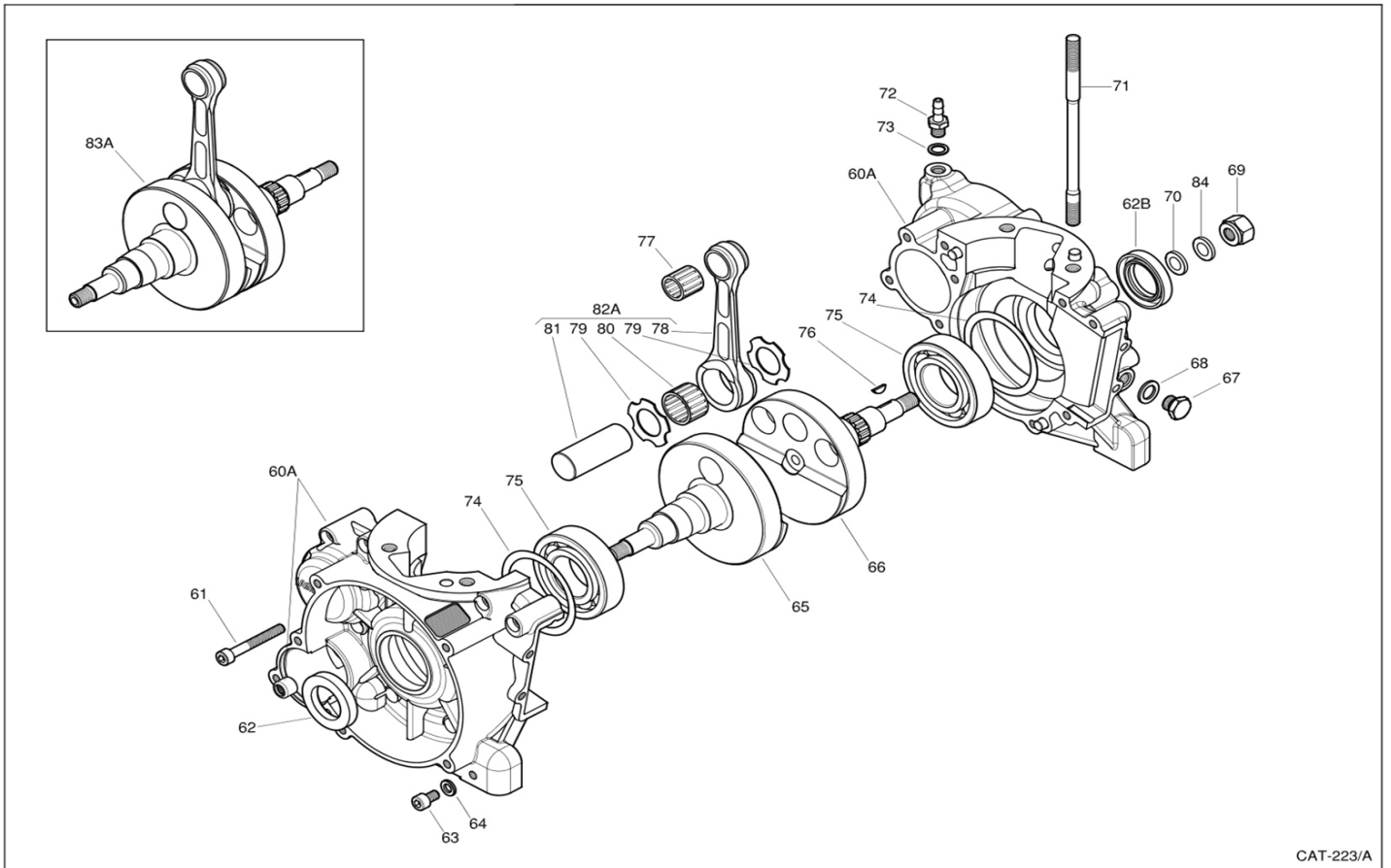
CAT-227 B

POS	PART #	DESCRIPTION	USA RETAIL
1	X30125040-C	CYL. HEAD X30	\$ 229.68
2	10350	HEAD NUT	\$ 3.56
2	10352	CYLINDER HEAD NUT W/TECH WIRE HOLE	\$ 8.35
3	10635	HEAD NUT WASHER H=3mm	\$ 1.81
4	B-25840	TEMP. GAUGE PLUG	\$ 4.16
5	B-25845	TEMP. GAUGE PLUG GASKET	\$ 2.92
8	F-38820	EXT. HEAD O-RING	\$ 14.00
9	B-25825	O-RING STUD-BOLT	\$ 1.81
11	EBP-125045	CYL. GASKET 4/10 SUD-TOP/X30	\$ 3.56
11	EBP-125046	CYL. GASKET 2/10 SUD-TOP/X30	\$ 3.56
11	EBP-125048	CYL. GASKET 5/10 SUD-TOP/X30	\$ 6.63
13A	X30125033	COMPLETE CYLINDER X30	\$ 729.31
16	D-37049	HEAD GASKET O-RING	\$ 6.84
17	IFA-40500	WATER PIPE FITTING	\$ 10.40
17A	B-25835	WATER PIPE FITTING GASKET	\$ 3.56
	X30-OR	COMPLETE O-RING KIT X30	\$ 23.60



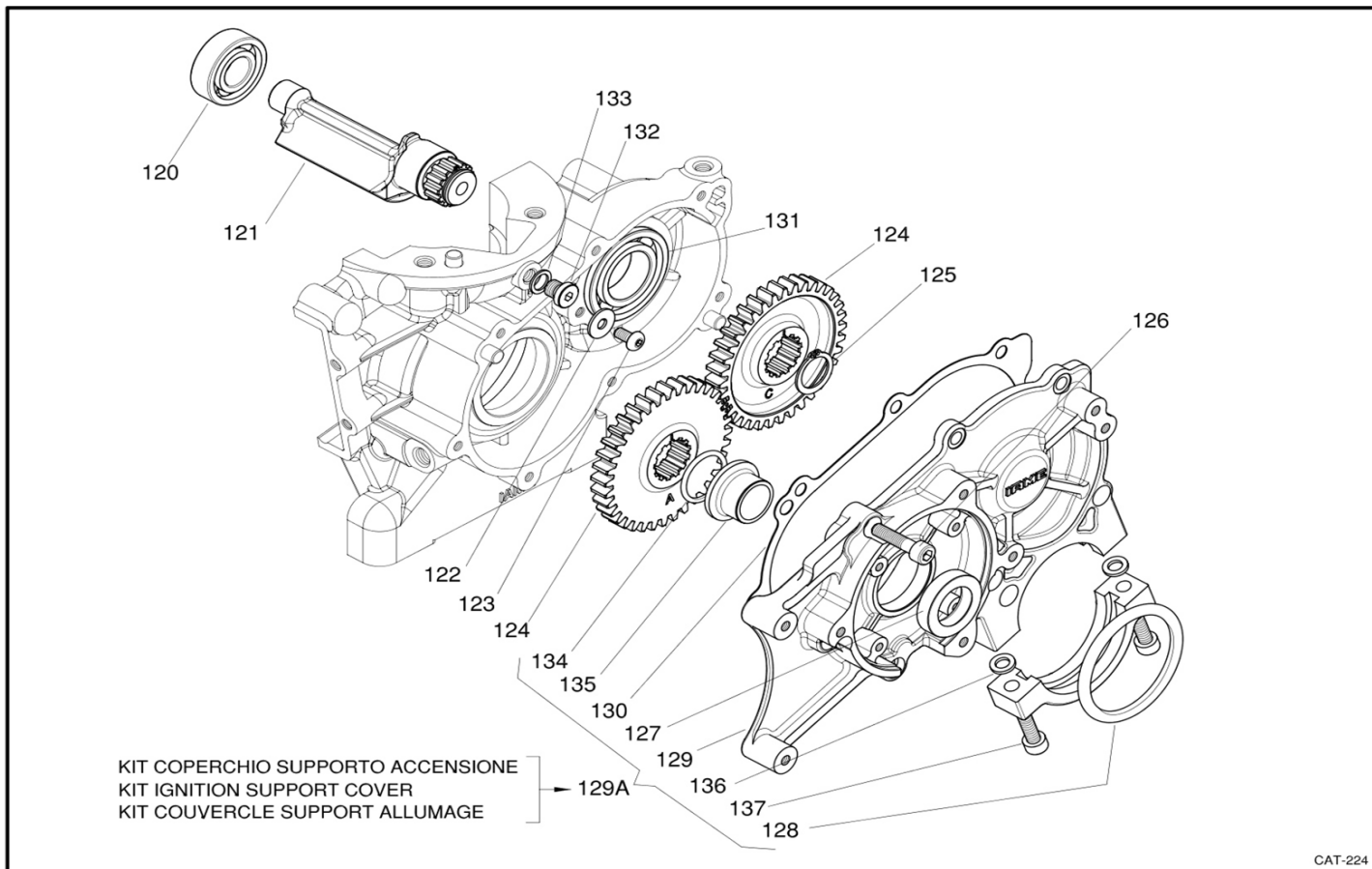
CAT-122

POS	PART #	DESCRIPTION	USA RETAIL
50	X30125320B	PISTON PIN 14x44 2^SEL.	\$ 30.91
50	X30125320R	PISTON PIN 14x44 1^SEL.	\$ 30.91
50	X30125320G	PISTON PIN 14x44 3^SEL.	\$ 30.91
51	10341-A	CIRCLIP W/OUT TAILS 1.2mm	\$ 1.88
52A	BP-25051-CR	PISTON COMPL. PR 54.00r	\$ 126.07
52A	BP-25051-CV	PISTON COMPL. PR 54.00v	\$ 126.07
52A	BP-25056-CR	PISTON COMPL. PR 54.02r	\$ 126.07
52A	BP-25056-CV	PISTON COMPL. PR 54.02g	\$ 126.07
52A	BP-25058-CR	PISTON COMPL. PR 54.05r	\$ 126.07
52A	BP-25058-CV	PISTON COMPL. PR 54.05g	\$ 126.07
52A	BP-25059-CR	PISTON COMPL. PR 54.07r	\$ 126.07
52A	BP-25059-CV	PISTON COMPL. PR 54.07v	\$ 126.07
52A	BP-25061-CR	PISTON COMPL. PR 54.10r	\$ 126.07
52A	BP-25061-CV	PISTON COMPL. PR 54.10g	\$ 126.07
52A	BP-25066-CR	PISTON COMPL. PR 54.12r	\$ 126.07
52A	BP-25066-CV	PISTON COMPL. PR 54.12g	\$ 126.07
52A	BP-25068-CR	PISTON COMPL. PR 54.15r	\$ 126.07
52A	BP-25068-CV	PISTON COMPL. PR 54.15g	\$ 126.07
52A	BP-25069-CR	PISTON COMPL. PR 54.17r	\$ 126.07
52A	BP-25069-CV	PISTON COMPL. PR 54.17v	\$ 126.07
52A	BP-25071-CR	PISTON COMPL. PR 54.20r	\$ 126.07
52A	BP-25071-CV	PISTON COMPL. PR 54.20g	\$ 126.07
52A	BP-25076-CR	PISTON COMPL. PR 54.22r	\$ 126.07
52A	BP-25076-CV	PISTON COMPL. PR 54.22g	\$ 126.07
52A	BP-25081-CR	PISTON COMPL. PR 54.25r	\$ 126.07
52A	BP-25081-CV	PISTON COMPL. PR 54.25g	\$ 126.07
52A	BP-25086-CR	PISTON COMPL. PR 54.27r	\$ 126.07
52A	BP-25086-CV	PISTON COMPL. PR 54.27g	\$ 126.07
53	BP-25154	PISTON RING 54.01	\$ 44.92
53	BP-25159	PISTON RING 54.05	\$ 44.92
53	BP-25164	PISTON RING 54.11	\$ 44.92
53	BP-25159	PISTON RING 54.15	\$ 44.92
53	BP-25174	PISTON RING 54.21	\$ 44.92
53	BP-25184	PISTON RING 54.26	\$ 44.92

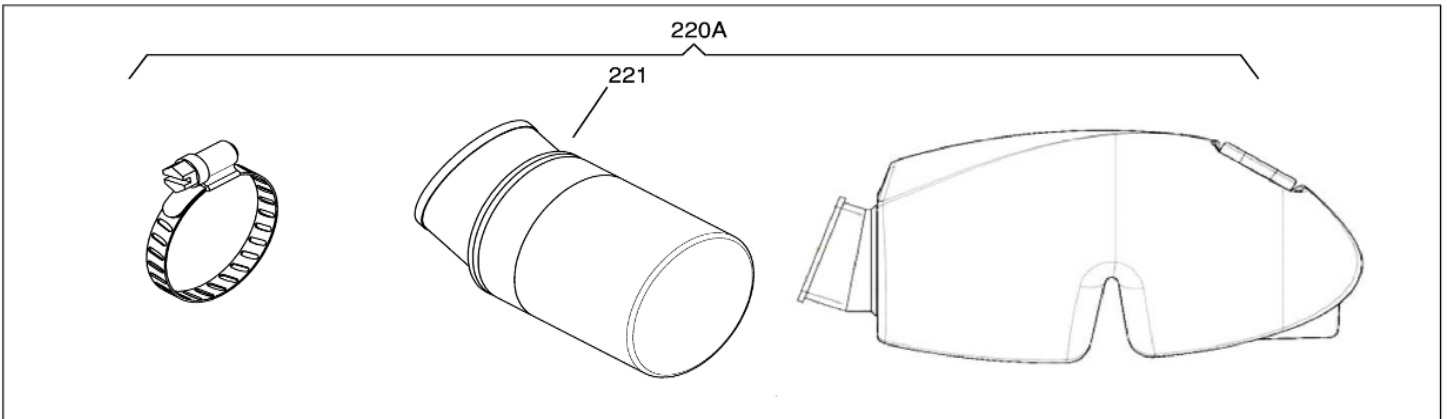
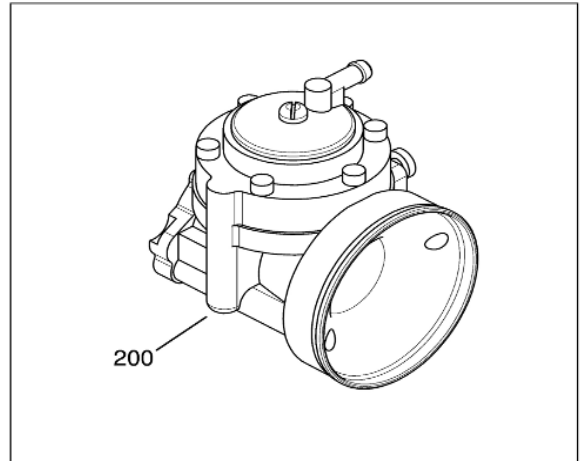
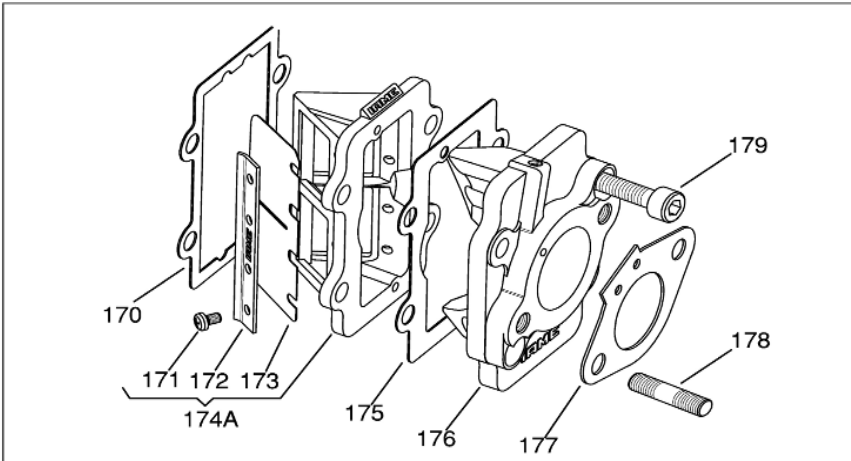


CAT-223/A

POS	PART #	DESCRIPTION	USA RETAIL
60A	X30125485-C	CRANKCASE W/CAGE X30	\$ 816.54
61	00049-K	KIT OF 20 ALLEN SCREWS 6x45	\$ 7.18
62	X30125425A	OIL SEAL MAGN./DRIVE SIDE	\$ 15.00
63	00059-K	KIT 20 SCREWS TCCE M6x12	\$ 4.88
64	00302-K	KIT 20 WASHERS M6	\$ 1.81
65	X30125385	DR .S. H. CRANKSHAFT X30	\$ 345.96
66	X30125390	MAGN. S. H. CRANKSHAFT X30	\$ 308.82
67	B-25840	TEMP. GAUGE PLUG	\$ 4.16
68	B-25845	TEMP. GAUGE PLUG GASKET	\$ 2.92
69	00382	NUT M10x1	\$ 2.29
70	00305-K	KIT OF 20 WASHERS M10	\$ 7.47
71	B-25347	CYLINDER TIE-ROD 8x153	\$ 13.33
72	D-95800	PRESSURE FITTING	\$ 5.08
73	B-71805	PRESSURE Cu FITT. GASKET	\$ 1.81
74	X30125405	STEEL SHIM 0.10 X30	\$ 3.56
74	X30125406	STEEL SHIM 0.15 X30	\$ 3.56
75	X30125396A	BALL BEARING SKF 6206	\$ 26.52
75	X30125397	MAIN BEARING - ROLLER TYPE - 2021	\$ 79.95
76	10375	MAGNETO/SPROCKET SHAFT END KEY	\$ 2.43
77	E-10440	SMALL END ROLLER CAGE - SILVER	\$ 34.92
77	E-10441	SMALL END ROLLER CAGE - BLACK	\$ 34.92
79	X30125437	SILVER BRONZE WASHER TOOLED	\$ 12.68
80	X30125431	BIG END CAGE	\$ 67.02
81	X30125450	CRANKPIN 20x48.8	\$ 33.84
82A	ENC50100-C	KIT CONROD 102mm / PIN 48.8 X30	\$ 413.16
83A	ENC00101	COMPLETE CRANKSHAFT X30 2021	\$ 1,113.15
84	00342-K	KIT 20 WASHERS 10,5x18x0,8	\$ 6.66
	X30125805	CRANKCASE SUPORT PLATE - STEELE	\$ 45.00

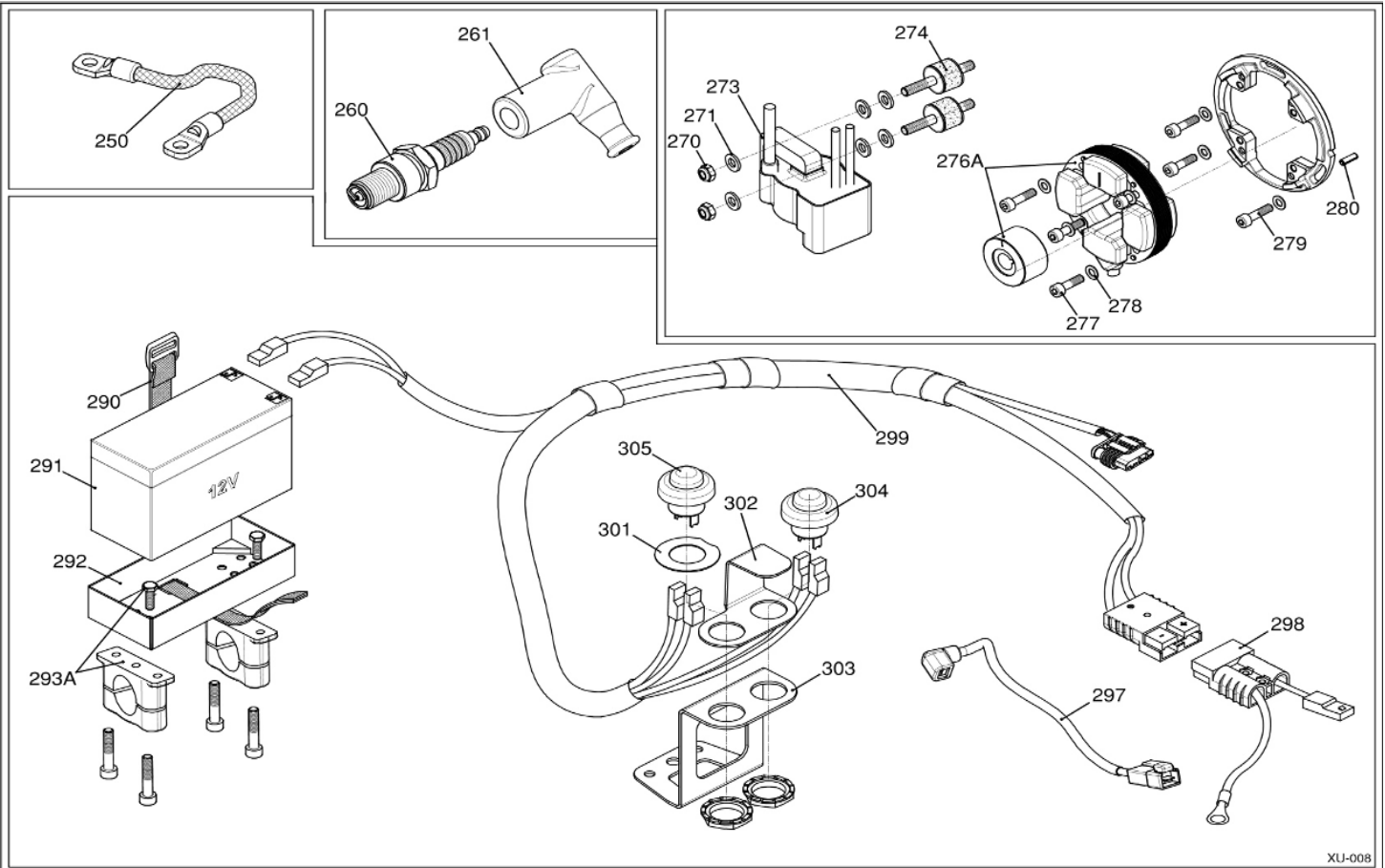


POS	PART #	DESCRIPTION	USA RETAIL
120	IZF-90510	BALL BEARING SKF 6202 TN9/C4H	\$ 14.51
121	X30125750	BALANCING SHAFT X30	\$ 118.04
122	00313-K	KIT 20 WASHERS M5x15	\$ 1.60
123	00257-K	20 SCREWS KIT M5x10	\$ 4.57
124	X30125755B	BALANCING SHAFT GEAR X30	\$ 70.12
125	X30125758	SEEGER SHAFT GEAR	\$ 1.81
126	00042-K	KIT 20 SCREWS TCCE 6x16	\$ 4.57
127	X30125880	OIL SEAL TC 22x32x7	\$ 8.35
128	X30125853	DAMPENER O-RING	\$ 1.81
129	X30125875A	IGNIT. SUPP. COVER X30	\$ 221.01
129A	X30125875A-C	X30 IGNITION SUPPORT COVER KIT	\$ 254.97
130	X30125878A	COVER GASKET X30	\$ 16.59
131	X30125746A	6005 BALL BEARING	\$ 25.05
132	X30125490	PRESSURE PLUG	\$ 5.08
133	B-71805	PRESSURE Cu FITT. GASKET	\$ 1.81
134	X30125762	GASKET O-RING X30	\$ 3.56
135	X30125760	GEAR SPACER X30	\$ 27.72
136	00302-K	KIT 20 WASHERS M6	\$ 1.81
137	00045-K	KIT 20 SOCKET H. SCREWS M6X25	\$ 4.57



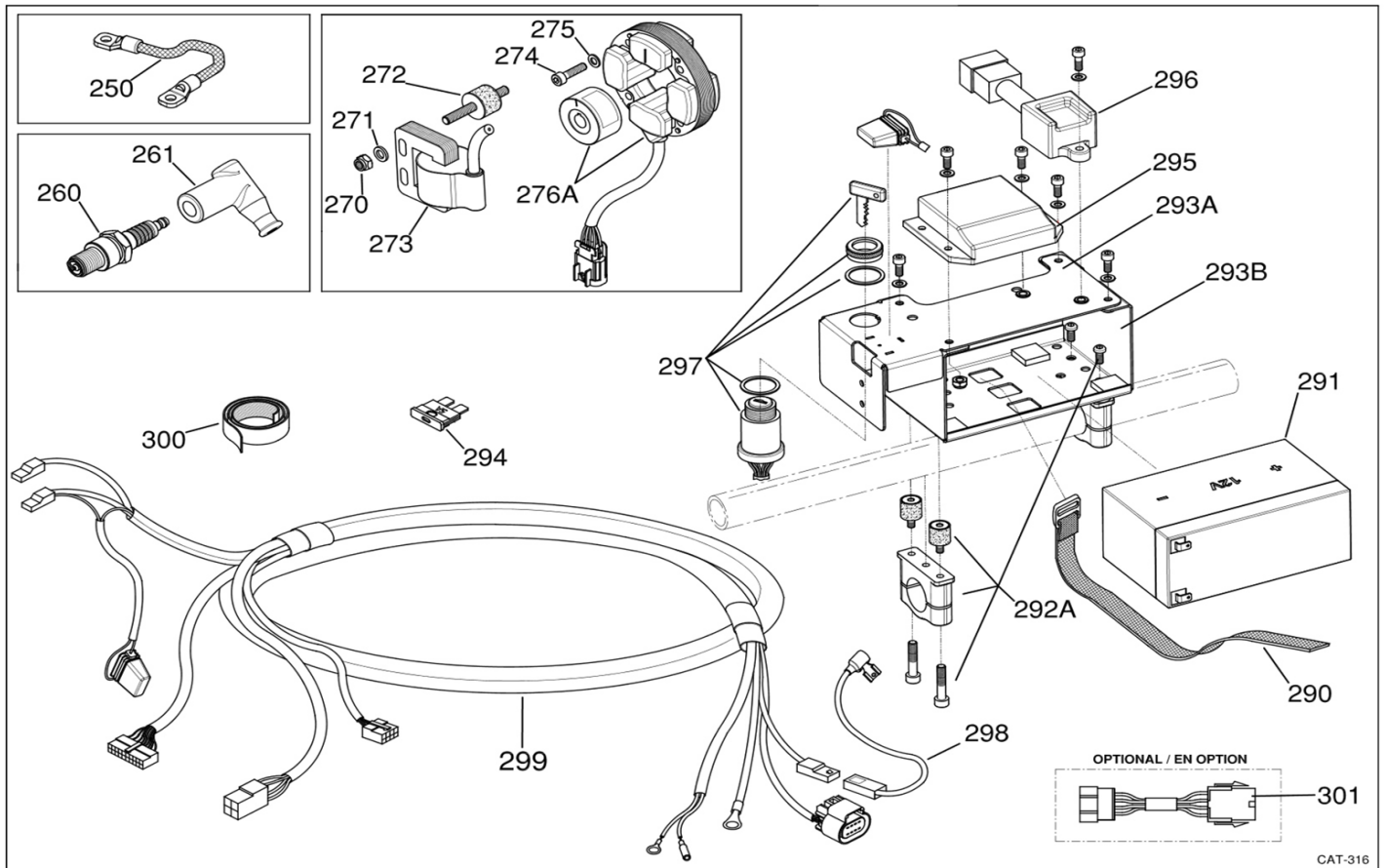
CAT- FX 232

POS	PART #	DESCRIPTION	USA RETAIL
170	X30125810A	REED BLOCK GASKET X30	\$ 5.08
171	10380	REEDS SCREW	\$ 1.77
172	F-11845A	REED CLIPS	\$ 3.56
173	X3011840	FIBERGLASS REED PETALS X30	\$ 17.09
174A	X3011830R-C	REED BLOCK X30	\$ 94.38
175	X30125809A	TOP CONVEYOR GASKET X30	\$ 7.03
176	X30125816	CONVEYOR 29mm X30	\$ 74.92
177	X30125360A	CARB. GASKET TILLOTSON HW-27A	\$ 3.65
178	F-40525	STUDBOLT M6x30	\$ 5.08
179	00045-K	KIT 20 SOCKET H. SCREWS M6X25	\$ 4.57
200	TI HW-27A	CARBURETTOR TILL. HW-27A	\$ 289.95
220A	X30125740	INLET SILENCER IAME	\$ 89.95
221	10751-A	RUBBER HOSE WITH FOAM FILTER	\$ 43.96
221	10751	RUBBER CONNECTOR WITH NO FOAM FILTER - FOR RAIN USE	\$ 38.30
222	10755	MANIFOLD CLAMP	\$ 1.39
	IAG-50200	ACCELERATOR CABLE RETURN SPRING	\$ 5.36
	SKE005-PN-IAME	X30 INLET SILENCER RAIN COVER	\$ 28.47



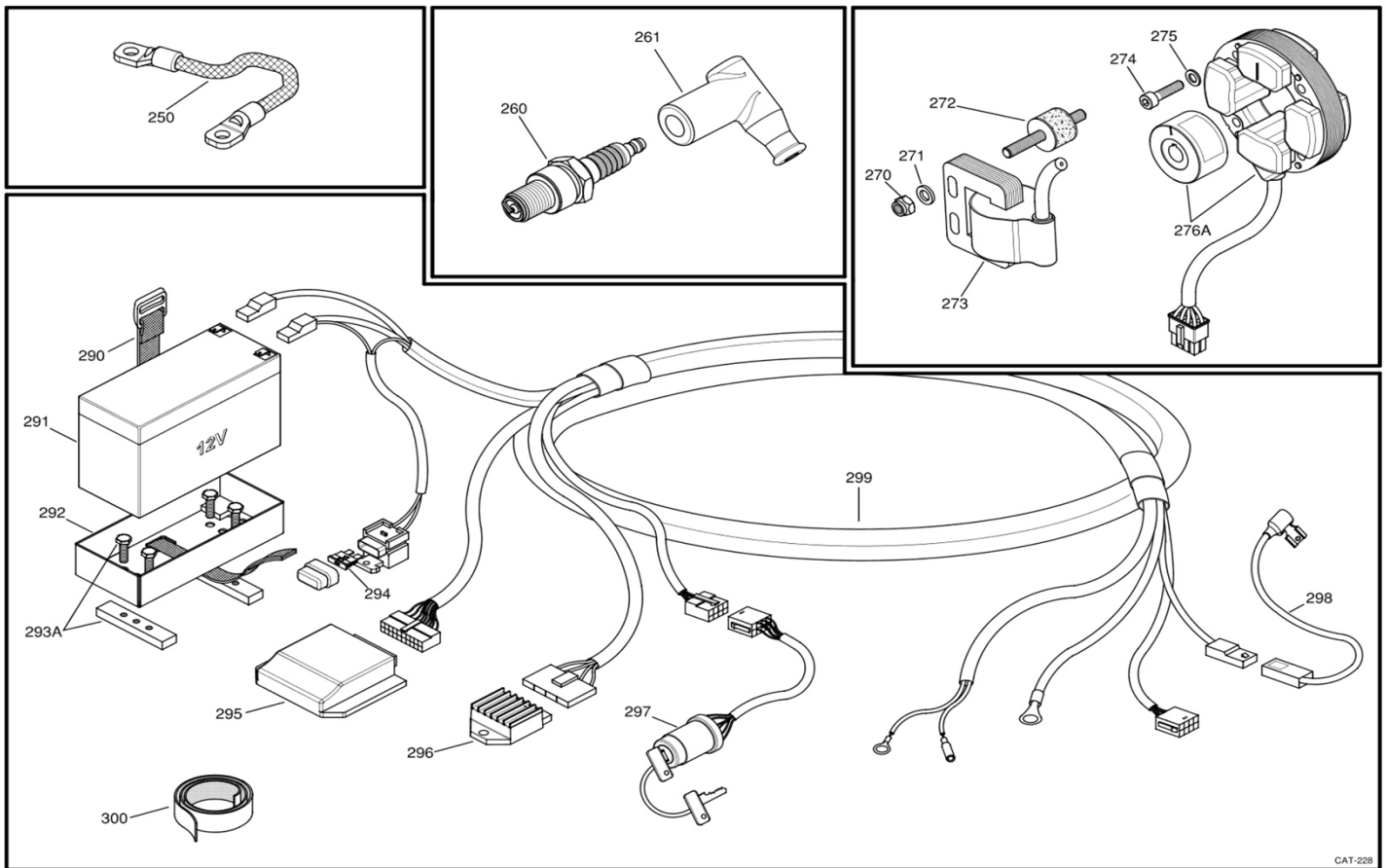
XU-008

POS	PART #	DESCRIPTION	USA RETAIL
250	B-35805-A	COIL GROUND CABLE	\$ 8.30
260	SP-R6252K	SPARK PLUG NGK R6252K-105	\$ 10.95
261	10544	IAME SPARK PLUG CAP BLACK	\$ 13.00
270	00378-K	20 SELF LOCKING NUTS KIT M6	\$ 4.57
271	00302-K	KIT 20 WASHERS M6	\$ 1.81
273	X30125933C	COIL DIG. S TYPE C	\$ 266.33
274	B-35810-A	COIL DAMPENER	\$ 9.24
276A	X30125953	IGNITION DIG. S X30	\$ 147.92
277	00032-K	KIT OF 20 SCREWS TCCE 5x20	\$ 4.88
278	00301-K	KIT 20 WASHERS M5	\$ 1.81
279	00037-K	20 SCREWS KIT TCCE 5X18	\$ 5.85
290	A-60904A	BATTERY FIXING BELT	\$ 17.09
292	X30125905	BATTERY SUPPORT	\$ 41.11
293A	A-60907A-C	BATTERY SUPPORT CLAMP 30mm W/SCREWS	\$ 33.23
293A	A-60908A-C	BATTERY SUPPORT CLAMP 32mm W/SCREWS	\$ 33.23
297	IFE-05600	STARTER CABLE	\$ 18.84
298	IFE-05401D	STARTER MOTOR CABLE	\$ 33.91
299	IFE-05004	CABLE HARNESS DIG. S	\$ 127.32
302	IFI-70101	SECURITY BRACKET	\$ 15.86
303	IFI-70001	BUTTONS BRACKET	\$ 16.05
304	IFE-05003-PS	START BUTTON GREEN	\$ 43.57
305	IFE-05003-PR	STOP BUTTON RED	\$ 43.57



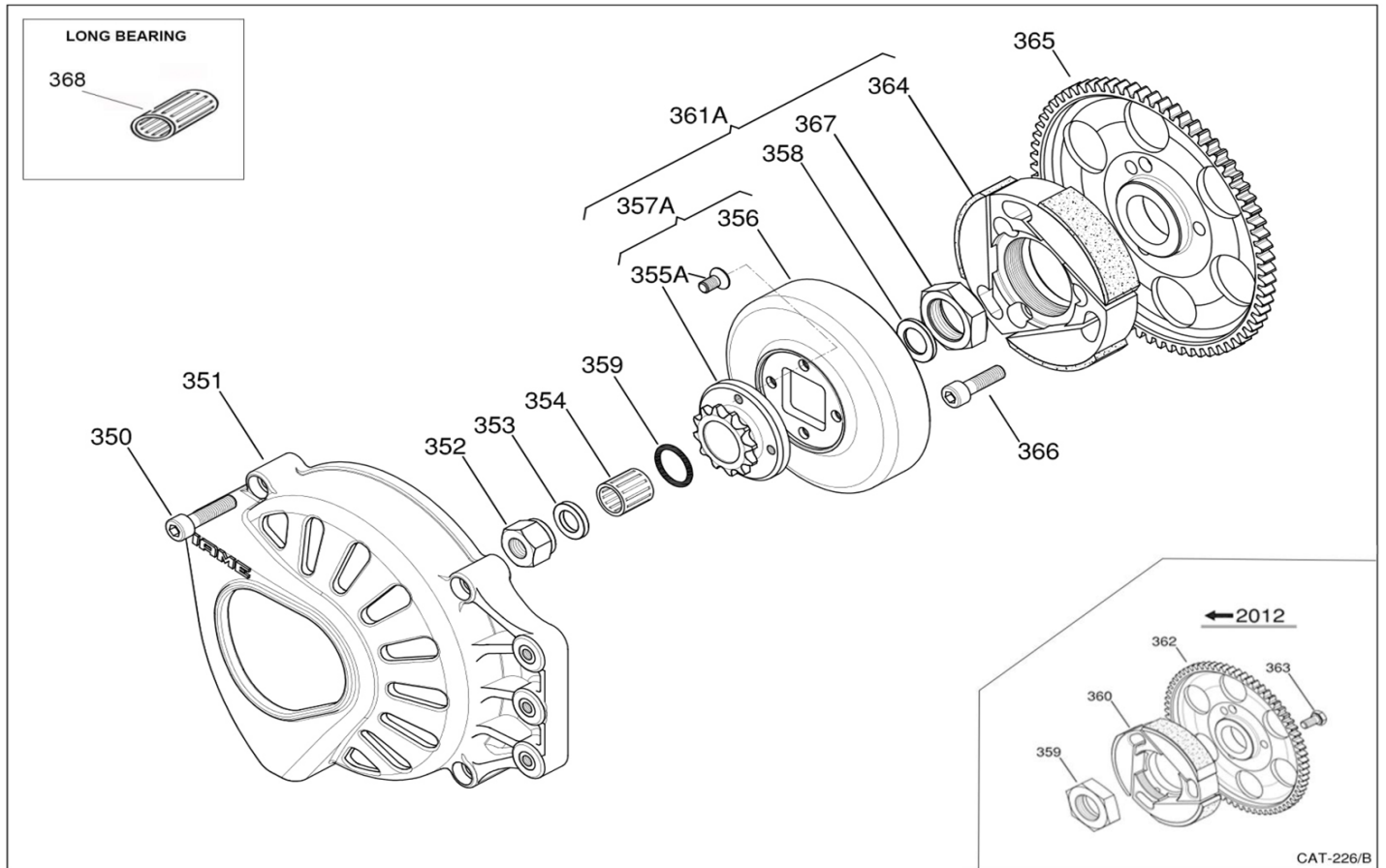
POS	PART #	DESCRIPTION	USA RETAIL
250	B-35805-A	COIL GROUND CABLE	\$ 8.30
260	10561	SPARK PLUG NGK BR9EG	\$ 12.95
260	10561-A	SPARK PLUG NGK BR10EG	\$ 12.95
261	10544	IAME SPARK PLUG CAP BLACK	\$ 13.00
270	00378-K	20 SELF LOCKING NUTS KIT M6	\$ 4.57
271	00302-K	KIT 20 WASHERS M6	\$ 1.81
272	B-35810-A	COIL DAMPENER	\$ 9.24
273	X30125955	SELETTRA COIL K	\$ 57.05
274	00034-K	KIT OF 20 ALLEN SCREWS 5x25	\$ 4.57
275	00301-K	KIT 20 WASHERS M5	\$ 1.81
276A	X30125952	SELETTRA IGNITION X30 '13	\$ 200.55
290	A-60904A	BATTERY FIXING BELT	\$ 17.09
292A	A-60906A-C1	BATTERY SUPPORT CLAMP 28mm W/SCREWS	\$ 33.23
292A	A-60907A-C1	BATTERY SUPPORT CLAMP 30mm W/SCREWS	\$ 33.23
292A	A-60908A-C1	BATTERY SUPPORT CLAMP 32mm W/SCREWS	\$ 33.23
293A	A-120907-C	BATTERY SUPPORT PLATE '13	\$ 57.05
293B	A-120905B	BATTERY SUPPORT '13	\$ 48.95
294	X30125942	FUSE 5A X30	\$ 3.56
295	X30125930C	MINI POWER UNIT TYPE C	\$ 245.55
296	IFE-05200	STARTER RELAY n.t.	\$ 123.97
297	X30125940-K	START BUTTON KIT OPTIONAL - X30	\$ 101.53
298	IFE-05600	STARTER CABLE	\$ 18.84
299	X30125935D-C	CABLES HARNESS '13	\$ 144.26
300	X30125925	VELCRO FIXING STRAP	\$ 31.77
301	X30125939	CABLES HARNESS '13 ADAPTER	\$ 37.89
301	X30125939A	STATOR ADAPTER '13	\$ 37.89



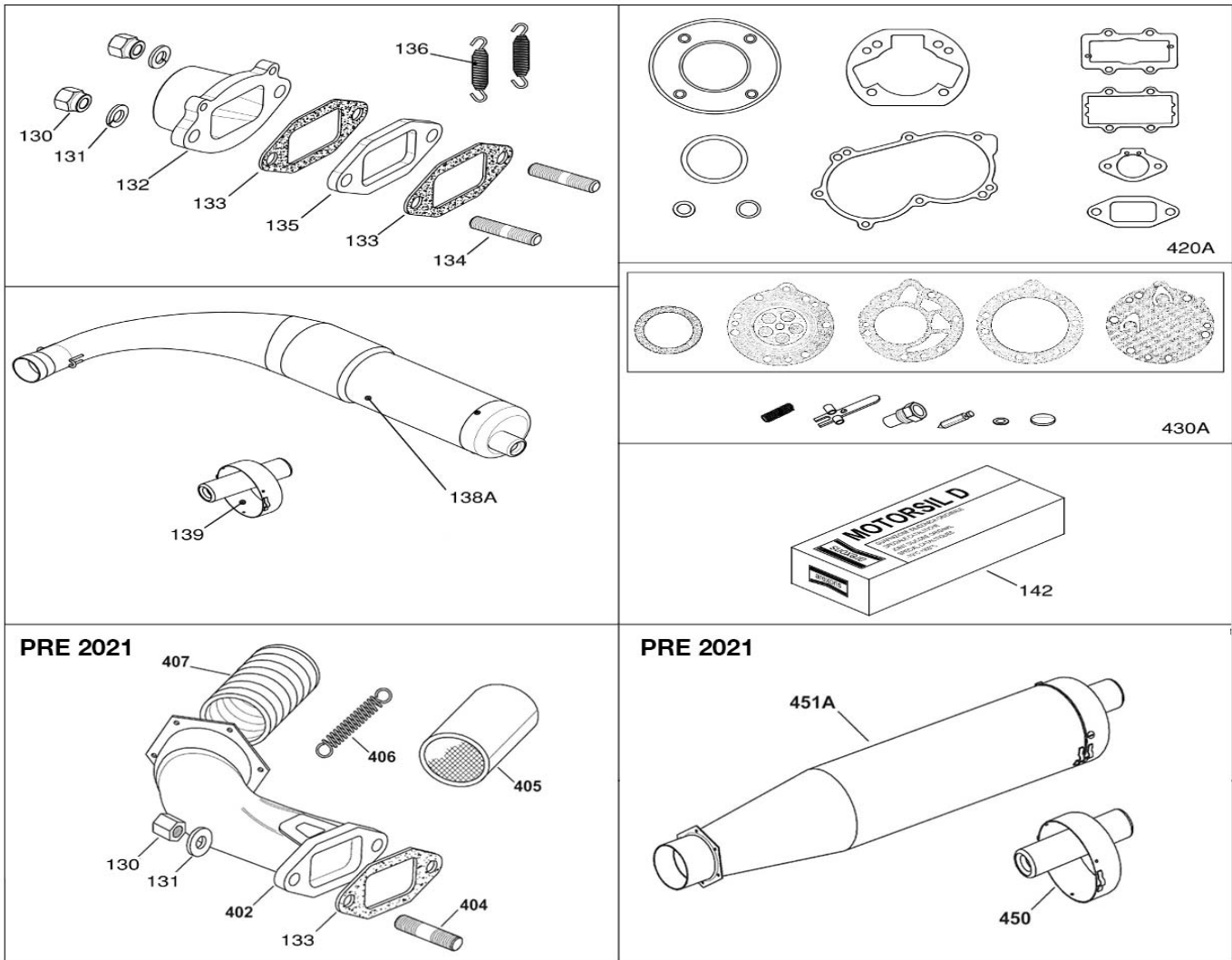


CAT-228

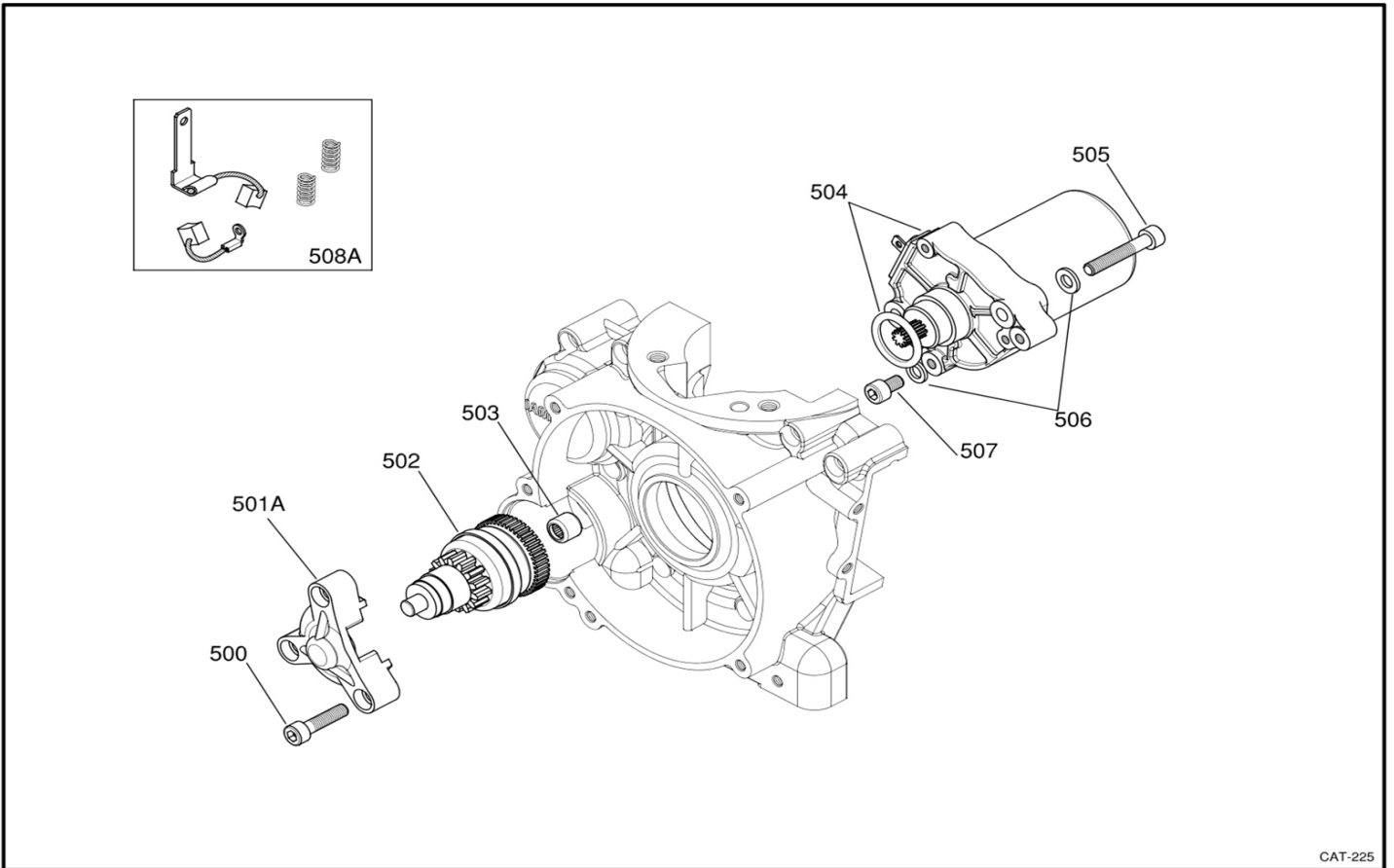
POS	PART #	DESCRIPTION	USA RETAIL
250	B-35805-A	COIL GROUND CABLE	\$ 8.30
260	10561	SPARK PLUG NGK BR9EG	\$ 12.95
260	10561-A	SPARK PLUG NGK BR10EG	\$ 12.95
261	10544	IAME SPARK PLUG CAP BLACK	\$ 13.00
270	00378-K	20 SELF LOCKING NUTS KIT M6	\$ 4.57
271	00302-K	KIT 20 WASHERS M6	\$ 1.81
272	B-35810-A	COIL DAMPENER	\$ 9.24
273	X30125955	SELETTRA COIL K	\$ 57.05
274	00034-K	KIT OF 20 ALLEN SCREWS 5x25	\$ 4.57
275	00301-K	KIT 20 WASHERS M5	\$ 1.81
276A	X30125950	SELETTRA IGNITION X30	\$ 188.02
290	A-60904A	BATTERY FIXING BELT	\$ 17.09
292	X30125905	BATTERY SUPPORT	\$ 41.11
294	X30125942	FUSE 5A X30	\$ 3.56
295	X30125930C	MINI POWER UNIT TYPE C	\$ 245.55
296	X30125941	RELAY X30	\$ 94.38
297	X30125936-C	STARTER KEYS ASSEMBLY	\$ 73.08
297	X30125940-K	START BUTTON KIT OPTIONAL - X30	\$ 101.53
298	IFE-05600	STARTER CABLE	\$ 18.84
299	X30125935-C	CABLES HARNESS	\$ 140.06
300	X30125925	VELCRO FIXING STRAP	\$ 31.77



POS	PART #	DESCRIPTION	USA RETAIL
350	00045-K	KIT 20 SOCKET H. SCREWS M6X25	\$ 4.57
351	X30125595	CLUTCH GUARD X30	\$ 54.05
352	D-75570	STARTER NUT TaG	\$ 7.13
353	D-75573	EXTERNAL WASHER	\$ 3.56
354	B-55598	CLUTCH ROLLER CAGE - SHORT (USE WITH O RING)	\$ 13.33
355A	X30125554-C	SPROCKET Z10 W/SCREWS	\$ 68.08
355A	X30125555-C	SPROCKET Z11 W/SCREWS	\$ 68.08
355A	X30125556-C	SPROCKET Z12 W/SCREWS	\$ 68.08
355A	X30125557-C	SPROCKET Z13 W/SCREWS	\$ 68.08
355A	X30125558-C	SPROCKET Z16 W/SCREWS	\$ 79.82
356	X30125550A	CLUTCH DRUM-NO HOLES X30/KA	\$ 71.33
357A	X30125550A-C10	CLUTCH DRUM BLIND + SPR Z10	\$ 151.22
357A	X30125550A-C11	CLUTCH DRUM BLIND + SPR Z11	\$ 151.22
357A	X30125550A-C12	CLUTCH DRUM BLIND + SPR Z12	\$ 151.22
358	D-75565	THRUST INT. WASHER H=1,8mm	\$ 5.08
359	A-60565	CLUTCH DRUM OR	\$ 2.20
361A	X30125841-C10	CLUTCH GROUP Z10	\$ 314.40
361A	X30125841-C11	CLUTCH GROUP Z11	\$ 314.40
361A	X30125841-C12	CLUTCH GROUP Z12	\$ 314.40
364	X30125841	PADDED HUB X30 '13	\$ 180.02
365	X30125831	STARTER WHEEL Z70 X30 '13	\$ 116.04
366	00042-K	KIT 20 SCREWS M6X16 TECNIC 150	\$ 4.57
367	IFF-21300	WHEEL LOCKING NUT	\$ 17.73
368	D-75598	CLUTCH ROLLER CAGE - LONG	\$ 13.33
359-2012	X30125560	WHEEL LOCKING NUT	\$ 17.72
362-2012	X30125830	STARTER WHEEL Z70 X30	\$ 116.04
363-2012	00161-K	KIT OF 20 HEX. SCREWS 6x12	\$ 7.47

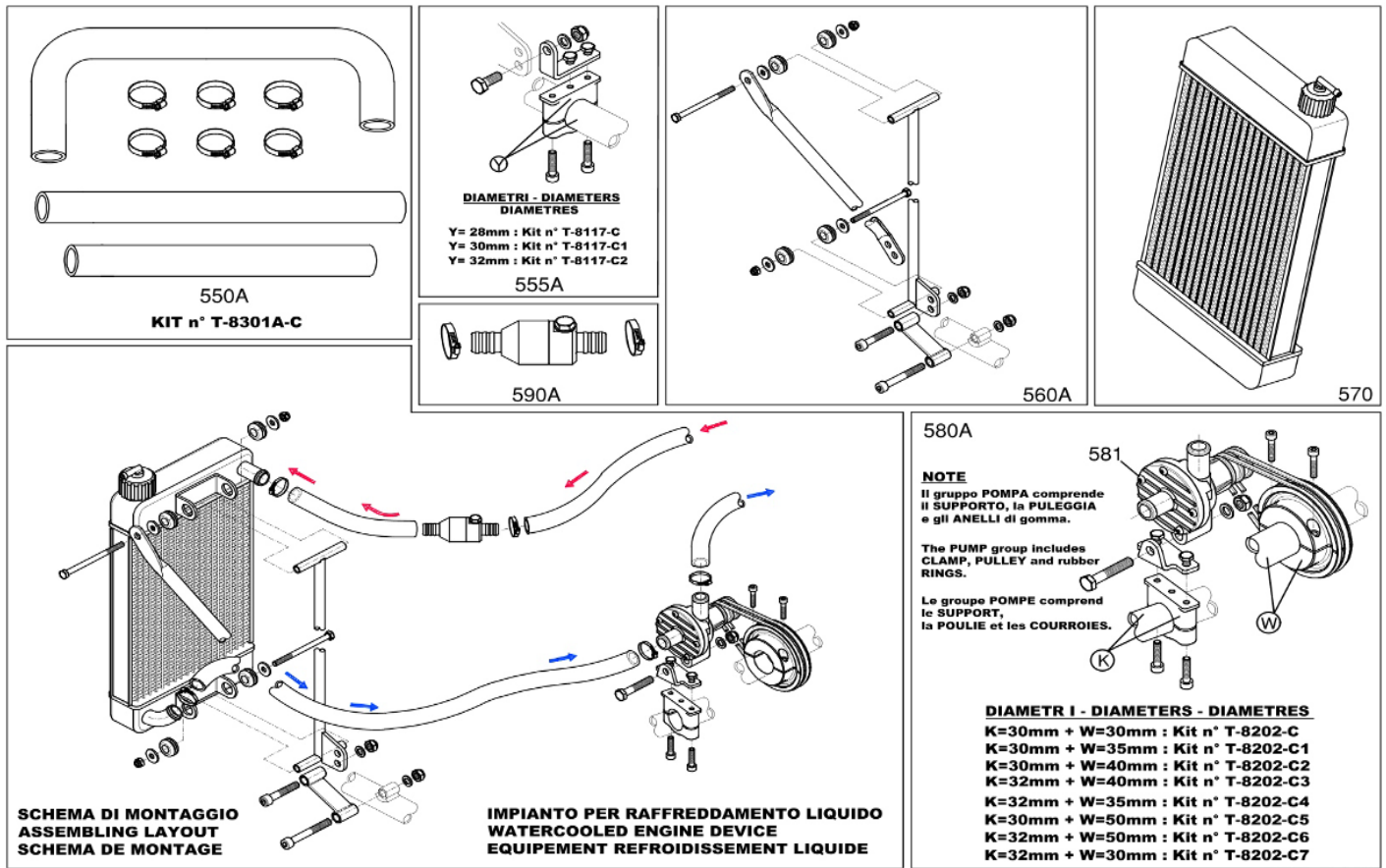


POS	PART #	DESCRIPTION	USA RETAIL
130	B-71662	EXHAUST NUT 8mm	\$ 3.56
130	10352	CYLINDER HEAD NUT W/TECH WIRE HOLE	\$ 8.35
131	00332-K	KIT OF 20 ELAST. WASHERS M8	\$ 1.81
132	X30125370	EXHAUST MANIFOLD X30 SR 2021	\$ 85.28
132	X30125370J	2021 EXHAUST MANIFOLD X30 JR 22.7	\$ 85.28
133	B-75360	EXHAUST GASKET	\$ 8.35
134	X30125355	STUD BOLT M8x42	\$ 8.73
136	IFH-55100	FLEXIBLE SPRING KF1-2 / KZ	\$ 9.32
138A	X30125715	ONE-PIECE EXHAUST X30	\$ 307.61
139	X30125720	SILENCER END X30	\$ 70.19
142	00602	GASKET AREXON	\$ 43.59
402	X30125365	EXHAUST PIPE X30 - PRE 2021	\$ 107.07
402	X30125368A	X30 JR HEADER 26mm - 2018 SKUSA	\$ 126.07
404	B-75355	EXHAUST STUDBOLT 8x36	\$ 8.35
405	A-60736	SILICONE SHEATH	\$ 23.34
406	10784	FLEXIBLE SPRING L=65	\$ 7.49
407	10711-B	FLEXIBLE L=13 cm.	\$ 10.46
407	10711-D	FLEXIBLE 95mm LENGTH	\$ 56.54
420A	X30125991	GASKETS KIT X30	\$ 36.56
430A	TI-RK-6HW	REPAIR KIT - HW-27A/33A (X30/KA)	\$ 32.95
450	X30125721	SILENCER END X30	\$ 68.08
451A	X30125718	SILENCER X30	\$ 170.06



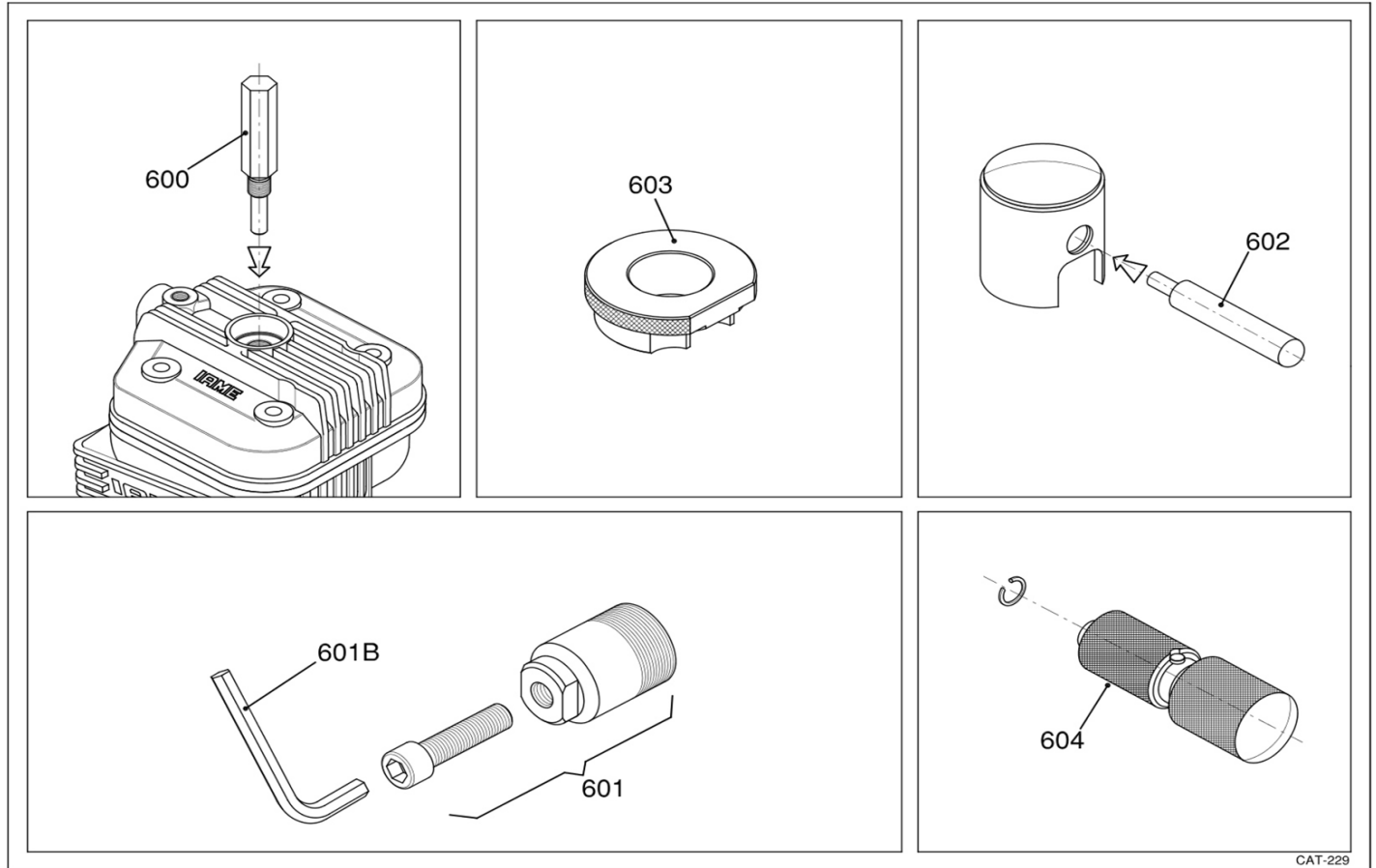
CAT-225

POS	PART #	DESCRIPTION	USA RETAIL
500	00045-K	KIT 20 SOCKET H. SCREWS M6X25	\$ 4.57
501	A-60870-C	BENDIX SUPPORT KIT	\$ 35.30
502	A-120856	BENDIX	\$ 122.91
503	A-60865	ROLLER CAGE TaG	\$ 11.28
504	A-120851A	STARTER MOTOR	\$ 270.29
505	00047-K	KIT OF 20 ALLEN SCREWS 6x35	\$ 7.18
506	00302-K	KIT 20 WASHERS M6	\$ 1.81
507	00059-K	KIT 20 SCREWS TCCE M6x12	\$ 4.88
508A	A-60852A-C	STARTER BRUSHES KIT	\$ 30.91

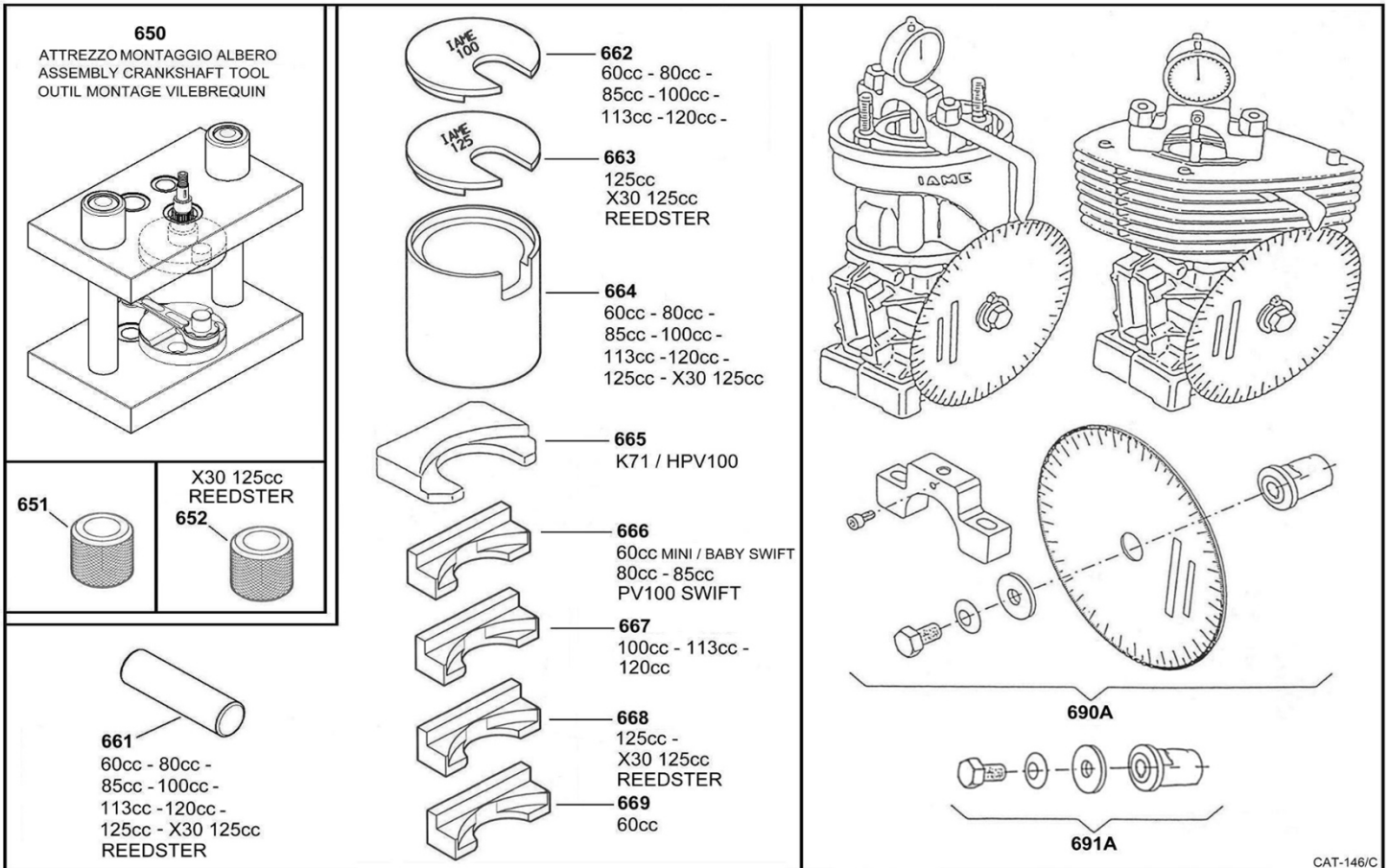


CAT-244/A

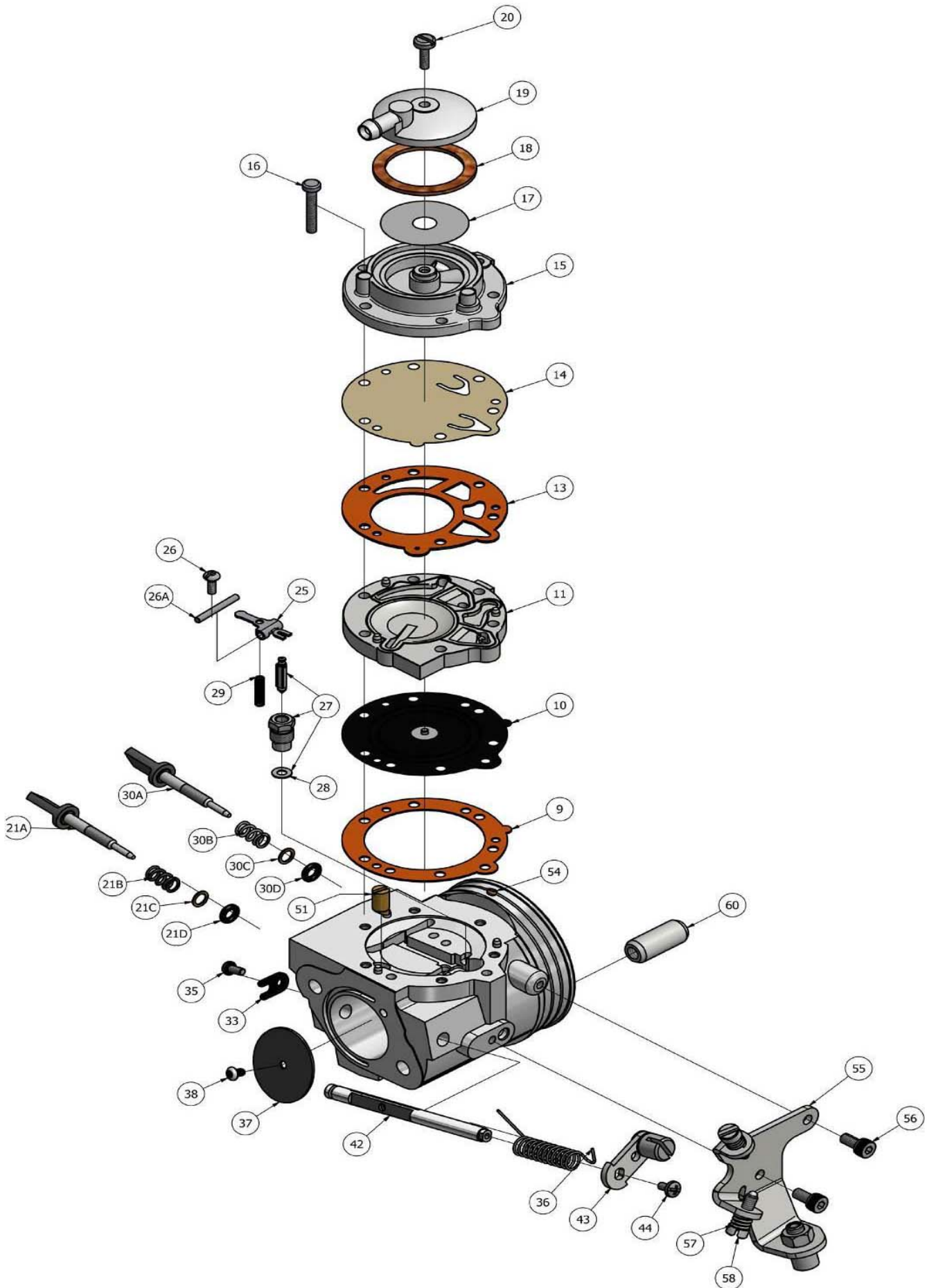
POS	PART #	DESCRIPTION	USA RETAIL
550A	T-8313B-C	HOSES COMPLETE KIT BLUE	\$ 74.92
555A	T-8117-C	RADIATOR CLAMP KIT mm 28	\$ 23.34
555A	T-8117-C1	RADIATOR CLAMP KIT mm 30	\$ 23.34
555A	T-8117-C2	RADIATOR CLAMP KIT mm 32	\$ 23.34
560A	T-8135-C	RADIATOR 410*186mm SUPPORT KIT	\$ 96.08
560A	T-8136-C	RADIATOR 410*230mm SUPPORT KIT	\$ 96.08
570	T-8000B	RADIATOR 410*186mm	\$ 320.17
570	T-8001	RADIATOR 410*230mm	\$ 392.15
571	T-8050	RADIATOR REPLACEMENT CAP	\$ 18.64
580A	T-8203-C5	WATER PUMP ALU GROUP 30/50	\$ 195.70
580A	T-8203-C6	WATER PUMP ALU GROUP 32/50	\$ 195.70
581	T-8203	ALUMINUM WATER PUMP	\$ 77.05
590A	T-8400-C	THERMOSTAT	\$ 133.08



POS	PART #	DESCRIPTION	USA RETAIL
600	10271	PISTON STROKE LOCKER	\$ 38.12
601	10272-C	CLUTCH HUB PULLER d.45	\$ 52.05
601	ATT-026	CLUTCH HUB PULLER d.38	\$ 51.05
601/B	10159	CLUTCH HUB PULLER WRENCH 12mm	\$ 23.00
602	10200	PISTON PIN PUNCH 14mm	\$ 25.05
603	S884	STARTER WHEEL LOCKING TOOL	\$ 48.09
604	10120	CIRCLIP ASSEMBLING TOOL 14mm	\$ 174.02
	ATT-048X	ROLLER BEARING INNER RACE PULLER	\$ 165.35
	ATT-075/2	ROLLER BEARING OUTER RACE REMOVAL PUNCH	\$ 22.33
	ATT-075/5	ROLLER BEARING INSTALLATION PUNCH	\$ 19.86



POS	PART #	DESCRIPTION	USA RETAIL
650	10110A	CRANKSHAFT ASSY TOOL	\$ 1,956.82
650	ATT-074A	CRANKSHAFT ASSEMBLY TOOL (ROLLER BEARINGS) 2021	\$ 2,635.00
652	10150A	CRANK-PIN BUSH 20mm	\$ 73.15
661	10107	CRANK-PIN PUSHER	\$ 11.66
663	10104A	CRANKSHAFT PLATE 125cc	\$ 100.61
664	10100	CRANKSH. DISASSY SUPPORT	\$ 167.09
668	10106	CRANKSHAFT INSERT 125cc-SUP	\$ 54.29
690A	10820A	TIMING CHECK DISC TaG/REEDSTER	\$ 130.03
691A	10828-C	TIMING CHECK DISC ADAPTER M10	\$ 53.38





# TILLOTSON HW-33A CARB

**X30**

POS	PART #	DESCRIPTION	USA RETAIL
10	TI-237-600X	DIAPHRAGM	\$ 4.91
11	TI-91A-275	DIAPHRAGM COVER	\$ 7.07
13	TI-16-B407X	FUEL PUMP GASKET (ORANGE)	\$ 35.77
14	TI-237-162X	FUEL PUMP DIAPHRAGM	\$ 56.94
15	TI-141-89T	FUEL PUMP BODY	\$ 9.67
16	TI-15C-51X	FUEL PUMP BODY SCREW	\$ 9.10
17	TI-95-170X	FUEL STRAINER SCREEN	\$ 9.20
18	TI-16-B205X	FUEL STRAINER COVER GASKET	\$ 6.60
19	TI-91-A251	FUEL STRAINER COVER	\$ 3.04
20	TI-15-B313X	FUEL STRAINER COVER RETAINING SCREW	\$ 7.10
21A	TI-43-1029	IDLE MIXTURE SCREW	\$ 10.16
21B	TI-24-B449X	IDLE MIXTURE SCREW SPRING	\$ 5.90
21C	TI-78A-256X	IDLE MIXTURE SCREW WASHER	\$ 7.60
21D	TI-44-361X	IDLE MIXTURE SCREW PACKING	\$ 10.40
25	TI-155-A27X	INLET CONTROL LEVER	\$ 9.60
26	TI-15-B329X	FULCRUM LEVER SCREW	\$ 6.90
26A	TI-32-79X	FULCRUM LEVER PIN	\$ 5.90
27	TI-233-721P	INLET NEEDLE & SEAT SET	\$ 15.45
28	TI-16-B199X	INLET SEAT GASKET	\$ 5.30
29	TI-24-B299X	INLET TENSION SPRING	\$ 12.59
30A	TI-43-1030	HIGH SPEED MIXTURE SCREW	\$ 10.16
30B	TI-24B-449X	HIGH SPEED MIXTURE SCREW SPRING	\$ 5.90
30C	TI-78-A256X	HIGH SPEED MIXTURE SCREW WASHER	\$ 7.60
30D	TI-44-361X	HIGH SPEED MIXTURE SCREW PACKING	\$ 10.40
33	TI-29-224X	THROTTLE SHAFT CLIP	\$ 9.80
35	TI-15-C19X	THROTTLE SHAFT CLIP RETAINING SCREW	\$ 8.70
36	TI-24-B381X	THROTTLE RETURN SPRING	\$ 9.10
37	T-14-A114	THROTTLE SHUTTER	\$ 19.11
38	TI-15-C20X	THROTTLE SHUTTER SCREW	\$ 8.70
42	TI-13-B216	THROTTLE SHAFT	\$ 15.50
43	TI-12-1220	THROTTLE LEVER ASSEMBLY	\$ 17.20
44	TI-15-C52X	THROTTLE LEVER RETAINING SCREW	\$ 12.20
51	TI-363-318	IDLE NOZZLE	\$ 18.98
54	TI-80-160X	MAIN PLUG (PACK OF 10)	\$ 18.05
55	TI-136-562	CABLE BRAKET	\$ 20.18
56	TI-15-C67X	CABLE BRACKET RETAINING SCREW	\$ 8.70
57	TI-15-C9X	LIMITER SCREW	\$ 22.10
58	TI-24-B131X	LIMITER SPRING	\$ 6.83
60	TI-81-377	CARBURETTOR MOUNTING NUT	\$ 3.00
62	TI-24-C334X	CABLE RETURN SPRING	\$ 42.45
	24C-334X	AUXILIARY CABLE RETURN SPRING	\$ 42.45
	TI-HW-27A	Carburettor	\$ 289.95
	TI-RK-6HW	REPAIR KIT	\$ 32.95
	TI-DG-3HW	DIAPHRAGM & GASKET (STANDARD)	\$ 14.95